

**Product Model No.** : LK WASH 101 - 150

**Product Description** : 150W LED RGBW Wash Light

Facade Lighting breathes life into unique facades & architecture in private or public spaces. This spot light adds an artistic feel to the exterior architecture & also used as an up-lighting for pillars and columns to add a simple contrast or to accentuate the object for making it the centre of attraction.



## 150W LED WASH LIGHT

### Technical Specifications:

#### Electrical & Power:

- Power Consumption : 150W
- Input Voltage/Current : DC 24V / 6000 mA
- Electrical Class : III Class
- Power Factor (Min) : 0.9
- Harmonic Distortion : < 10%
- Driver/power unit : External

#### Optical Arrangement:

- Beam Angle : 25°
- Optional Beam Angle : 15° , 45°
- Field Angle : 32°

#### Lamp Source:

- LED Source : SMD Based
- Colour Temperature : RGBW
- CRI : > 80
- Lumens/W : > 55
- Net Luminous Flux : 8250
- SDCM : < 3
- LED Hours Burning life : 50,000

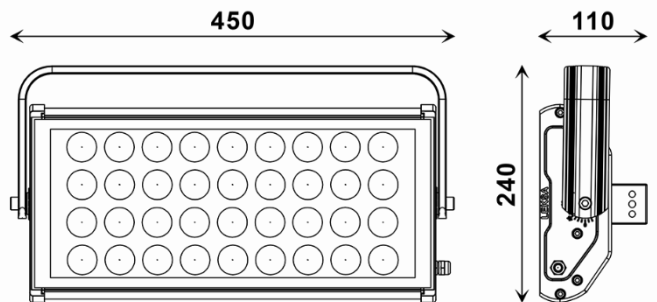
#### Control & Others:

- Control Option : DmX512/Auto
- DmX Channels : 4 CH

#### Physical & Construction:

- Dimension : 450 x 110x240mm
- Ingress Protection : IP66 Rated
- Body Housing : Aluminium Die Casted
- Body Colour : Black / Grey
- Mounting Type : Yoke Mount
- Impact Resistance : IK08
- Connector : M/F Cable Mount
- Working Temperature : +55° ~ -30°

#### Dimensions:



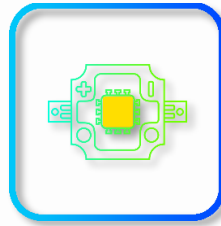
## Features



**150W Power Consumption**



**DMX control**



**SMD Based LEDs**



**Test Certificates**



**Beam angle: 25°**



**Color Temperature: RGBW**

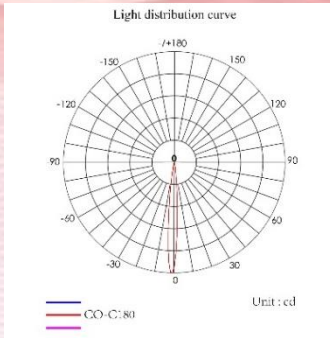


**Ingress Protection: IP 66**

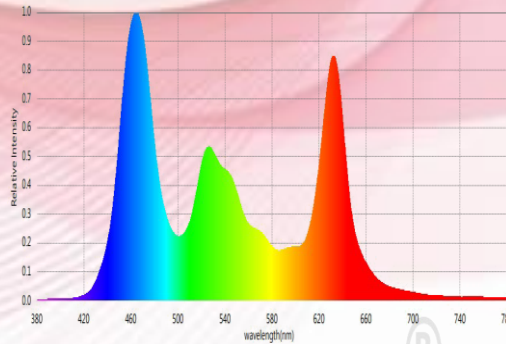


**Impact Protection: IK 08**

## Photometric Data



Light Distribution chart



Chromaticity Report

Distance IN MTRS	Beam Width		Lux(Center)
	W(MTRS)	H(MTRS)	
1	0.4433	1	25170
2	0.8867	2	6292.49
3	1.3301	3	2797
4	1.7735	4	1574
5	2.2169	5	1008
6	2.6603	6	700
7	3.1037	7	515
8	3.5471	8	395
9	3.9905	9	313
10	4.4338	10	254

Vertical Spread : 25 Deg.      Horizontal Spread : 25 Deg.

Lux level distribution (25°)

## Certifications



© 2023 Leksa Lighting All rights reserved. Leksa Lighting does not give any representation or warranty as to the accuracy or completeness of the information included herein and shall not be liable for any action in reliance thereon. The information presented in this document is not intended as any commercial or and does not form part of any quotation or contract, unless otherwise agreed by Leksa Lighting. Leksa logo is registered trademark of Leksa Lighting Technologies Private Limited.

[www.leksalighting.com](http://www.leksalighting.com)

[biz@leksalighting.com](mailto:biz@leksalighting.com)