

Product Model No. : LK WASH 46 - 60

Product Description : 50W LED Wash Light

Wash lights, designed for exterior applications, enhance landscapes, buildings, and outdoor events. They provide a powerful and even illumination that transforms outdoor spaces with vibrant colours and atmospheric effects. Weather-resistant and durable, these lights bring versatility to outdoor design, creating captivating and beautiful environments after dark.



50W LED WASH LIGHT

Technical Specifications:

Electrical & Power:

- Power Consumption : 50W
- Input Voltage/Current : DC 24V / 2000 mA
- Electrical Class : III Class
- Power Factor (Min) : 0.9
- Harmonic Distortion : < 10%
- Driver/power unit : External

Optical Arrangement:

- Beam Angle : 25°
- Optional Beam Angle : 15° , 45°
- Field Angle : 32°

Lamp Source:

- LED Source : SMD Based
- Available CCT : 3000K, 4000K, 6500K, 1800K
- CRI (Ra) : >70 (80 CRI -On Request)
- Lumens/W : > 110
- Net Luminous Flux : 5500
- SDCM : < 3
- LED Hours Burning life : >50,000

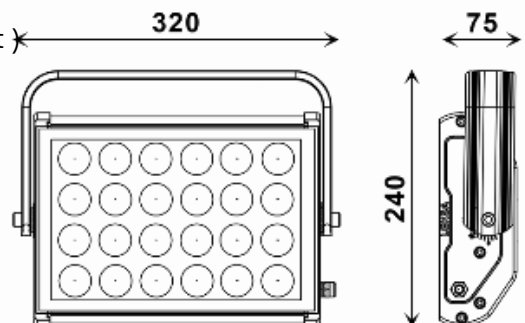
Control & Others:

- Control Option : On / Off

Physical & Construction:

- Dimension : 320 x 240 x75mm
- Ingress Protection : IP66 Rated
- Body Housing : Aluminium Die Casted
- Body Colour : Black / Grey
- Mounting Type : Yoke Mount
- Impact Resistance : IK08
- Connector : M/F Cable Mount
- Working Temperature : +55° ~ -30°

Dimensions:



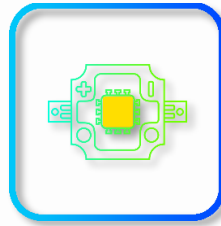
Features



50W Power Consumption



Simple On / Off control



SMD Based LEDs



LM 80 & LM 79

Test Certificates



Beam angle: 25°



Color Temperature: 3000K



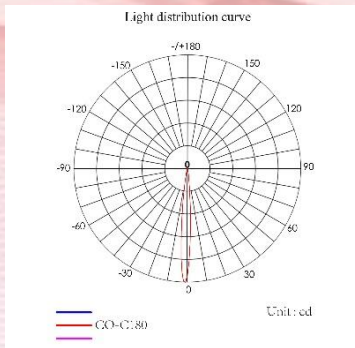
Ingress Protection: IP 66



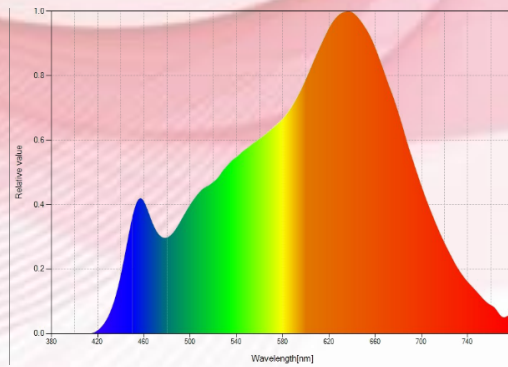
IK 08

Impact Protection: IK 08

Photometric Data



Light Distribution chart



Chromaticity Report

Distance IN METERS (MTRS)	Beam Width (MTRS)	Lux (Center)
1	0.4433	11252
2	0.8867	2813
3	1.3301	1251
4	1.7735	704
5	2.2169	451
6	2.6603	314
7	3.1037	231
8	3.5471	177
9	3.9905	140
10	4.4338	114

Vertical Spread: 25 Deg. Horizontal Spread: 25 Deg.

Lux level distribution (25°)

Certifications



© 2023 Leksa Lighting All rights reserved. Leksa Lighting does not give any representation or warranty as to the accuracy or completeness of the information included herein and shall not be liable for any action in reliance thereon. The information presented in this document is not intended as any commercial or and does not form part of any quotation or contract, unless otherwise agreed by Leksa Lighting. Leksa logo is registered trademark of Leksa Lighting Technologies Private Limited.

www.leksalighting.com

biz@leksalighting.com