

Product Model No. : LK SL 25 - 40
Product Description : 30W LED RGBW Spot Light



Facade Lighting breathes life into unique facades & architecture in private or public spaces. It can also be used to add an artistic feel to the exteriors with shadows, also use up-lighting for pillars and columns to add a simple contrast or to accentuate the object for making it the centre of attraction

30W LED SPOT LIGHT

Technical Specifications:

Electrical & Power:

- Power Consumption : 30W
- Input Power : DC 24V

Optical Arrangement:

- Beam Angle : 25°
- Optional Beam Angle : 15° , 45°
- Field Angle : 28°

Lamp Source:

- LED Source : SMD Based
- Colour Temperature : RGBW
- Lumens/W : > 80
- Net Luminous Flux : 1650
- No of LED's : 6 No's
- LED Hours Burning life : 50,000

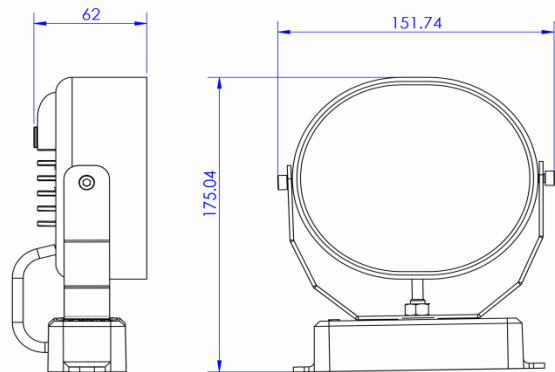
Control & Others:

- Control Option : DmX 512 / Auto Mode
- DmX Channels : 4 DmX Channels
- Working Temperature : +55° ~ -30°
- SDCM : < 5
- Power Factor (Min) : 0.9
- Driver/power unit : External Power Supply

Physical & Construction:

- Dimension : 151 x 62 x 175mm
- Ingress Protection : IP66 Rated
- Body Housing : Aluminium Die Casted
- Body Colour : Black / Grey / Custom
- Mounting Type : Yoke Mount
- Impact Resistance : IK08
- Cooling : Passive Cooling System
- Protection Class : III Class

Dimensions:



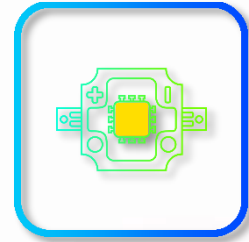
Features



30W Power Consumption



DMX control



SMD Based LEDs



Beam angle: 25°

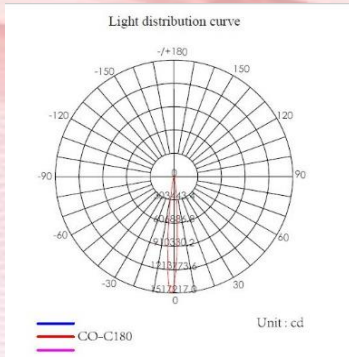


Color Temperature: RGBW

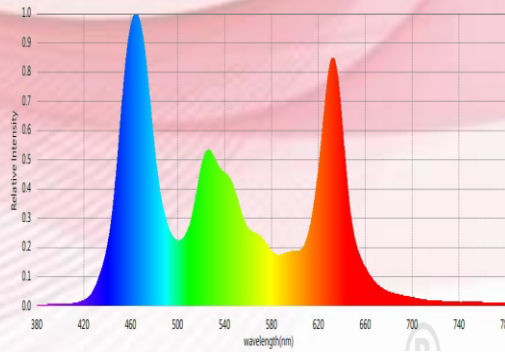


IP 66 Water & Dust Resistance

Photometric Data



Light Distribution chart



Chromaticity Report

Distance	Beam Width		Lux(Center)	
	W(MTRS)	H(MTRS)		
1	0.4433	1		5636
2	0.8867	2		1409
3	1.3301	3		627
4	1.7735	4		353
5	2.2169	5		226
6	2.6603	6		157
7	3.1037	7		116
8	3.5471	8		89
9	3.9905	9		71
10	4.4338	10		58

Vertical Spread : 25 Deg. Horizontal Spread : 25 Deg.

Lux level distribution (25°)

Certifications



© 2023 Leksa Lighting All rights reserved. Leksa Lighting does not give any representation or warranty as to the accuracy or completeness of the information included herein and shall not be liable for any action in reliance thereon. The information presented in this document is not intended as any commercial or and does not form part of any quotation or contract, unless otherwise agreed by Leksa Lighting. Leksa logo is registered trademark of Leksa Lighting Technologies Private Limited.

www.leksalighting.com

biz@leksalighting.com