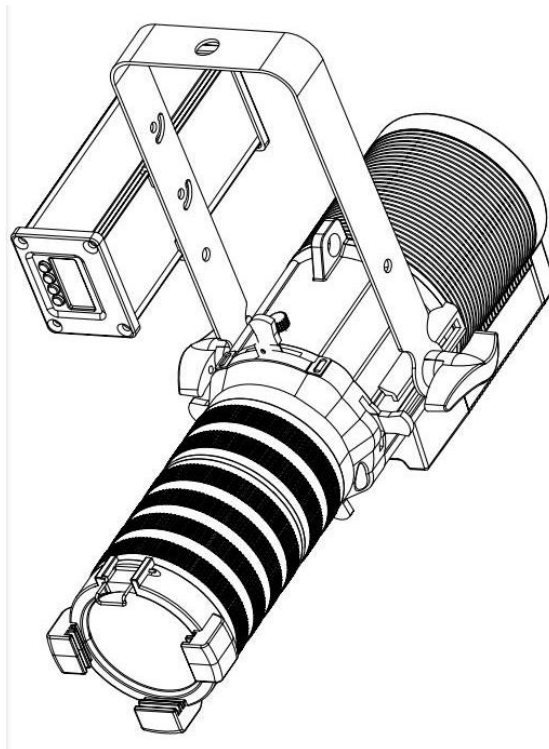


USER GUIDE FOR MINI PROFILE IP65 80W



**Applicable Models:
MINI PROFILE IP65 80W CW/WW**

Leksa Lighting® all rights reserved, Information, Specifications, Images and Instructions given in the document herein subject to change without further notice. Leksa Lighting Logo, Data and Indicated product names, Model no's herein the trademarks of Leksa Lighting.

You may connect to below contact for your queries:

- 📍 Leksa Lighting Technologies Pvt. Ltd
Ashwathpura Road, Mangalore – 574227, India
- ✉ biz@leksalighting.com
- 🌐 www.leksalighting.com
- 📞 +91-7899 – 543210

For Quality and Service support reach us @ quality@leksalighting.com

Important Notice:

There are no user serviceable parts inside the fixture. Do not attempt any repairs yourself; doing so will cease the manufacturing warranty and such acts will void the manufacturer warranty claims.

- Warranty claims to be reported to the above referred email ID's with the product Sl. Nos.
- Warranty will not be extended on the glass and breakable items like lenses etc.
- Product warranty does not cover the physical damages, breakages etc.
- Product warranty ceases if the product is not used as per manufacturer instructions.
- Product warranty is limited to the functional aspects of the fixture.
- Repair or Replacement is depending on the variance of complaint subject to manufacturer decision.

Instructions:

This Product is IP65 rated. For proper operation, follow the **Installation guidelines described in this manual. Only qualified and** certified personnel should perform the installation and only the original rigging parts (brackets, holders, clamps, safety cables) included with this fixture should be used for installation. Any modifications will void the original manufactures warranty and increase the risk of damage and/or personal injury.

- Never look directly into the light source to prevent risk of injury to your retina, which may induce blindness. Those suffering from EPILEPSY should avoid looking directly into the light source of this unit at all times.

- Always disconnect from main power source before performing any type of service and/or cleaning procedure. Only handle the power cord by the plug end, never pull by tugging the wire portion of the cord.

- Do NOT operate fixture if the power cord has become frayed, crimped and/or damaged. If the power cord is damaged, replace it immediately with a new one of similar power rating.

- Do NOT operate fixture near any flammable materials.

- Do NOT operate fixture in dusty environments.

- We urge you to ensure proper mechanical fitments of clamps and a usage of safety chains while suspending from the top.

Safety Introductions:

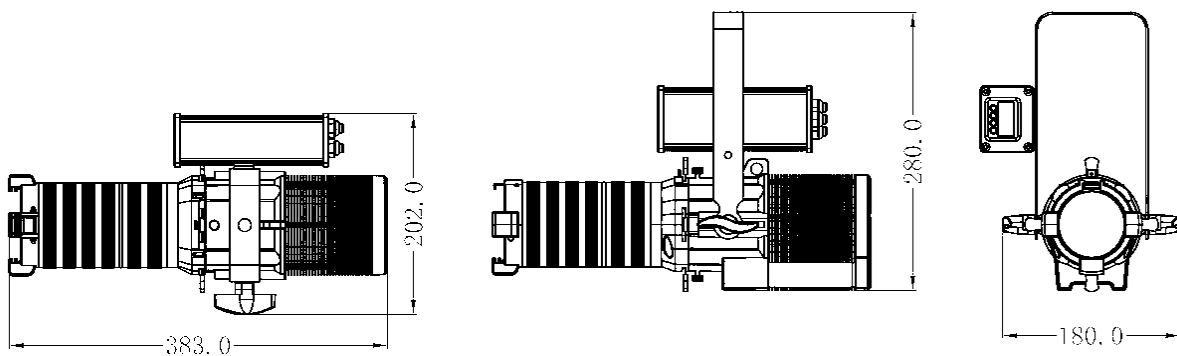
- If the device has been exposed to temperature changes due to environmental changes, do not switch it on immediately. The arising condensation could damage the device.
- Leave the device switched off until it has reached room temperature.
- This device falls under protection-class I. Therefore it is essential that the device be earthed.
- The electric connection must carry out by qualified person. The device shall only be used with rate voltage and frequency.
- Make sure that the available voltage is not higher than stated at the end of this manual.
- Make sure the power cord is never crimped or damaged by sharp edges. If this would be the case, replacement of the cable must be done by an authorized dealer.
- Always disconnect from the mains, when the device is not in use or before cleaning it. Only handle the power cord by the plug. Never pull out the plug by tugging the power cord.
- During initial start-up some smoke or smell may arise. This is a normal process and does not necessarily mean that the device is defective, it should decrease gradually.
- Please don't project the beam onto combustible substances.
- Fixtures cannot be installed on combustible substances, keep more than 50cm distance with wall for smooth air flow, so there should be no shelter for fans and ventilation for heat radiation.
- If the external flexible cable or cord of this luminaire is damaged, it shall be exclusively replaced by the manufacturer or his service agent or a similar qualified person in order to avoid a hazard.

Technical Specifications:

Feature:
* 1*80W COB LED (Cool white or Warm White optional)
*50,000 hours life span and low power consumption
*Color Rendering Index(CRI): Ra≥90
*High quality optical system and field uniformity
*Beam Angle: 12°-30° or 25°-50°(Manual Zoom)
*4 kinds of dimming curve
*Dimming Frequency: 500HZ - 25000HZ optional
*Die casting aluminum housing design
*Feature of housing: Small volume, lightweight
*4 Metal spot cutting slots
*0-100% Smooth linear dimmer
*1/3DMX channels
*RDM/DMX512, master-slave, or static mode

*3-Pin XLR connectors IN/OUT
*Fan-less no noise cooling system
*Working Temperature: -10°C-40°C
*IP65 protection rating
Specifications:
*Input Voltage:AC100-240V 50/60Hz
*Max. Power: 80W
*Dimensions: 383*202*280mm
*Packing Size: 51*25.7*20cm(1pc/carton), 55*53*41cm(4pcs/carton)
*Net Weight: 4kgs
*Gross Weight: 5kgs

Dimension:

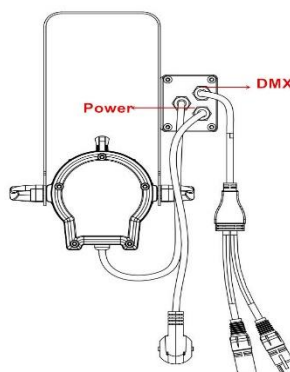


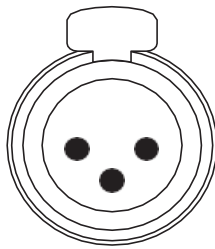
DMX-512 CONTROL CONNECTIONS:

Connect the provided XLR cable to the female 3-pin XLR output of your controller and the other side to the male 3-pin XLR input of the moving head. You can chain multiple

Moving head together through serial linking. The cable needed should be two core, screened cable with XLR input and output connectors. Please refer to the diagram below.

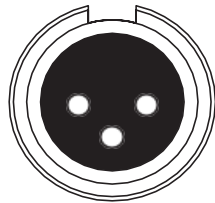
DMX-512 connection with DMX terminator





DMX Output

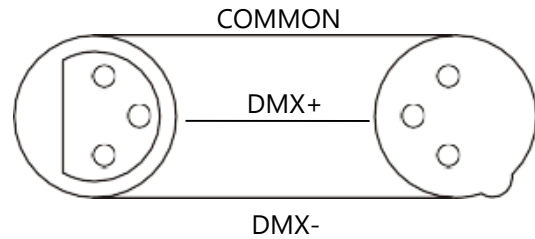
3-Pin XLR Socket



DMX Input

3-Pin XLR Socket

1:Ground
2:Data(-)
3:Data(+)

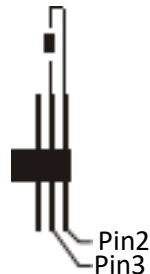
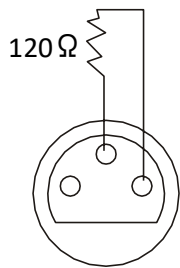


DMX 512 OUT

3-PIN XRL

DMX 512 IN

3-PIN XRL



For installations where the DMX cable has to run a long distance or is in an electrically noisy environment, such as in a discotheque, it is recommended to use a DMX terminator. This helps in preventing corruption of the digital control signal by electrical noise. The DMX terminator is simply an XLR plug with a 120 Ω resistor connected between pins 2 and 3, which is then plugged into the output XLR socket of the last fixture in the chain. Please see illustrations below.

Product Features:

➤ **2 kinds of running model**

- External control mode (Slave model)
 - ❖ DMX 512 controller control(2 kinds channel modes)
 - ❖ Master/salve model control (auto match the signal from controller and the Master light, no need to set by menu)
- static mode (Master model)
 - ❖ It can fix any color without the controller ,also work this color with strobe

➤ **Non-linear dimmer and linear dimmer**

- The speed of dimmer can be set under the controller control

➤ **Screen Protect**

- It will enter blank screen without any operate on the keyboard in 80 seconds . Press any keys then it can quit screen protection.

➤ **Temperature Protection**

- It can be set to temperature protection mode

➤ **Speed of the Fan**

- The fan will start to work when the working temperature reach 40 degree, and the speed will be changed according to the change of temperature.

➤ **Can be Reverse display**

Multi-light working in the same time:

When using controller to control multi lights to work in strobe, the controller just send the channel data . The strobe effect will be depend on each light itself . And please take attention for the follow situation:

1. There will be many situations make the lights are not synchronization in the beginning. (For example: the different time of opening the light , or different time of them connect to the controller) .In this case, you can change value of the controller(for example push 20 to 0, and back to 20), then it can be synchronization.
2. Due to crystal frequency of different lights are not the same exactly, so it may not be synchronization after long time.
3. If need to keep synchronization for long time, there are two ways to do so:
 - A. Using the controller to edit program make the strobe, auto run effect,then they must be synchronization.
 - B. Using the Maser/Slave model

MENU OPERATIONS:

A.001 (1~512)
d.001 (1~512)
SEAR → **r.255** (0~255)
 → **SE.00** (0~20)
FE9 → **1.10**
CUU → **SEAn**
EEP → **0**
 → **E.080**
d,SP
rEST

Menu :

The first list is the main menu (press MENU to exchange), the second list is submenu (press ENTER to get in or exchange)

If the menu include the decimal point, that's the data, and it can be set by the Key of Up/Down.

Key operation :

Key of "MENU" (Press it and can save the data)
 If it's the main menu, it will exchange to next main menu.

If it's the submenu , it will back to main menu.
 Key of "ENTER" (Press it and can save the data)

If it's the main menu and it have submenu, it will enter the submenu.

If it's the submenu, it will exchange to the next submenu

Key of "UP/DOWN"

It's no function if the menu not include the decimal point.

If the menu include the decimal point, it can set the data after the decimal point. And it need to press "ENTER" to save the data.

Key lock function:

After power-on or screen saver, it will enter the key lock mode, and display four boxes "----", which means "please enter a 4-digit password". Note that only the input of "up" and "down" keys will be accepted at this time. .

Press the keys in the following order: up, down, up, down, "udud" will be displayed in turn, and then press the "OK" key to unlock.

If you accidentally press the wrong button, for example, press "Up" for the first two digits, "uu--" will be displayed. At this time, please continue to press the button to complete the 4-digit input, such as "uuuu", and then press the "OK" button. Since the password is incorrect, the system will clear the original input and display the four-bar "----" again. At this time, enter the correct password "udud", and then press the "OK" key.

Menu		State	Operation		Remark
Main Menu	Vice Menu				
A.001	No vice menu	A: advance	UP/DOWN	adjust ID adress	disconnect the controller and connect the master light, then it will follow the master light.
		External control mode (standard channel model)	ENTER	save the ID address	
d.001	No vice menu	d: dmx	UP/DOWN	adjust ID address	It will flicker if no signal.
		External control mode (Basic channel model)	ENTER	Save the ID address	
SEAT	Two vice menu	StAt: static	ENTER	enter vice menu	
		Static model			
	r.255	C: color	UP/DOWN	change value of color	
		Set the color	ENTER	Save the data change to the vice menu	
	SE.00	St: strobe	UP/DOWN	change value of strobe	
		strobe and its	ENTER	save and exchange	

		speed				
FrEq	One vice menu	FrEq:frequency	ENTER	enter vice menu		
		Frequency				
	1.10	Unit: KHz	UP/DOWN	Adjust frequency		
		Range : 0.55~25.0	ENTER	Save data		
CurV	One vice menu	CurV:curve	ENTER	Enter the vice menu		
		curve				
	StAn	StAn:Standard	UP/DOWN	Change curve		
			ENTER	Save data		
	inCA	inCA: Incandescent	UP/DOWN	Change curve		
			ENTER	Save data		
	LinE	LinE:Linear	UP/DOWN	Change curve		
			ENTER	Save data		
	quiC	quiC:Quick	UP/DOWN	Change curve		
			ENTER	Save data		
	tEmp	two vice menu	tEmp: temperature	ENTER	enter the vice menu	
			temperature control			
0		current temperature	ENTER	change to vice menu		
t.080		t: top	UP/DOWN	change the data of temperature protect		
		tEMp: temperature	ENTER	enter the vice menu		
diSP	No vice menu	diSP: display	ENTER	reverse the display		
		set to show reverse display				
rEst	No vice menu	rEst: reset	ENTER	enter the interface of key	the password is "UP DONW UP"	

		return Initial State			DOWN"
--	--	----------------------	--	--	-------

DMX CHANNELS:

1CH Chanel Model

Channel	Data	Function
1	0~255	Dimmer

3CH Chanel Model

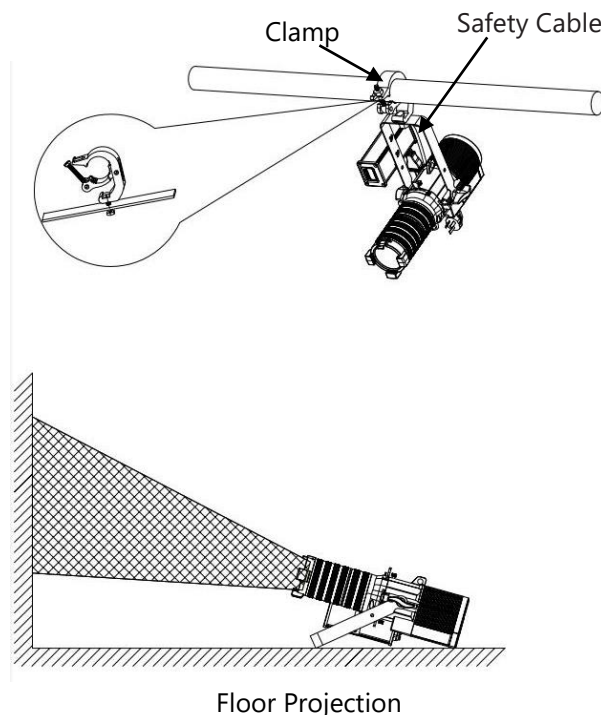
Channel	Data	Function	Remark
1	0~255	Dimmer	
2	0~10	Default dimmer delay	
	11~15	No dimmer delay	
	16~255	Dimmer delay option	16 is the shortest delay, 255 is the longest delay
3	0-10	No Strobe	
	11-255	Strobe Speed (255 the fast)	

OPERATION INSTRUCTIONS:

- The 80W IP65 MINI PROFILE is an LED profile light for on-site decoration purpose.
- Don't turn on the fixture if it's been through severe temperature difference like after transportation because it might damage the light due to the environment changes. So make sure to operate the fixture until it is in normal temperature.
- This light should be keep away from strong shaking during any transportation or movement.
- Don't pull up the light by only the head, or it might cause damages to the mechanical parts. Don't expose the fixture in overheat, moisture or environment with too much dust when installing it. And don't lay any power cables on the floor. Or it might cause electronic shock to the people.
- Make sure the installation place is in good safety condition before installing the fixture.
- Make sure to put the safety chain and check whether the screws are screwed properly when installing the fixture.
- Make sure the lens are in good condition. It's recommended to replace the units if there are any damages or severe scratch.
- Make sure the fixture is operated by qualified personnel who knows the fixture before using.
- Keep the original packages if any second shipment is needed.
- Don't try to change the fixtures without any instruction by the manufacturer or the appointed repairing agencies.
- It is not in warranty range if there are any malfunctions from not following the user manual to operate or any illegal operation, like shock short circuit, electronic shock, lamp broke, etc.

INSTALLATIONS:

- For added protection mount the fixtures in areas outside walking paths, seating areas, or in areas where the fixture might be reached by unauthorized personnel.
- Before mounting the fixture to any surface, make sure that the installation area can hold a minimum point load of 10 times the device's weight.
- Fixture installation must always be secured with a secondary safety attachment, such as an appropriate safety cable.
- Never stand directly below the device when mounting, removing, or servicing the fixture.
- From a ceiling, or set on a flat level surface (see illustration below). Be sure this fixture is kept at least 0.5m (1.5 ft) away from any flammable materials (decoration etc.).
- Please ensure that the led profile spotlight is hung using the appropriate "C" clamp or half cheeseboro. A safety chain or cable should also be used as a secondary point of holding the fixture in case the clamp comes loose. Never hang the fixture without a safety chain or cable.
- There is an eye-bolt on the back of the fixture to which the safety chain or cable can be threaded through and then hung from the secondary point. Make sure the Gel frame (Gel holder) is clipped into position correctly and cannot come loose.
- If you are not qualified or have any doubts about hanging the led profile spotlight then do NOT hang it.
- Do not clamp the safety cable to the U bracket or clamp. That is not a secondary safety point.
- A secondary safety point is any point that will adequately hold the led profile spotlight if the "C" clamp or half cheeseboro fails.
- Then the safety cable would be the backup and stop the fixture from falling to the ground. So do NOT fix the safety cable to the same place that the "C" clamp is attached.



For Further assistance, you are requested to contact our office or authorizeddealers. We are there at your service.

Thank You for Choosing Leksa Lighting:

Leksa Lighting Technologies Pvt. Ltd.
Ashwathapura Road,
Moodbidri, Mangalore –
574227, India
www.leksalighting.com
biz@leksalighting.com
+91-7899 543210