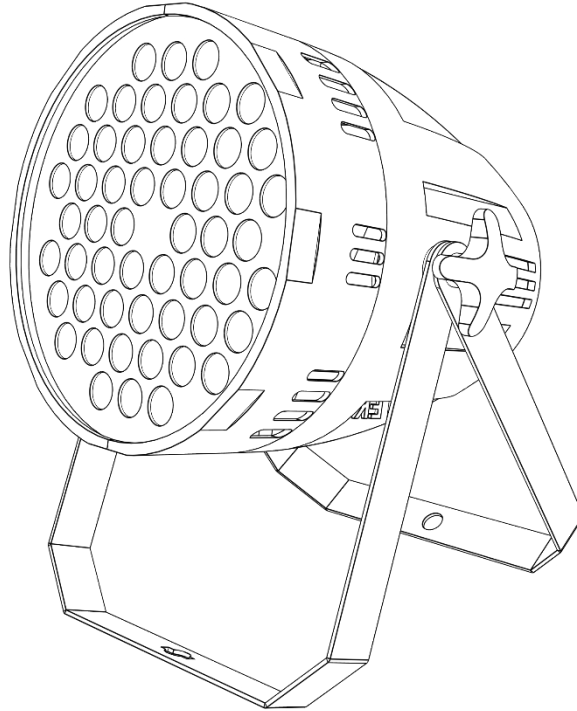


USER GUIDE FOR LED PAR LIGHT



Applicable Models:

LEKSUN 543 T/D/BC – 180W

T – Tungsten 3200K

D – Daylight 5600K

BC – Bi-Colour 3200K ~ 5600K

User manual V 1.0


Leksa Lighting® all rights reserved. Information, Specifications, Images and Instructions given in the document herein subject to change without further notice. Leksa Lighting Logo, Data and Indicated product names, Model no's herein the trade marks of Leksa Lighting.

You may connect to below contact for your queries:

 Leksa Lighting Technologies Pvt. Ltd

Ashwathpura Road, Mangalore – 574227, India

 biz@leksalighting.com  www.leksalighting.com

 +91-7899 – 543210

For Quality and Service support reach us @ quality@leksalighting.com

Important Notice:

There are no user serviceable parts inside the fixture. Do not attempt any repairs yourself; doing so will cease the manufacturing warranty and such acts will void the manufacturer warranty claims.

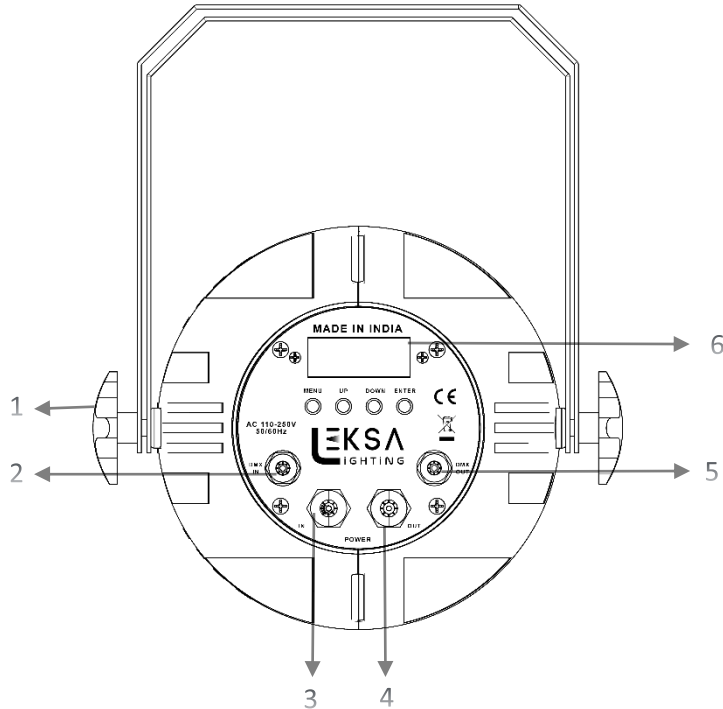
- Warranty claims to be reported to the above referred email ID's with the product SI Nos.
- Warranty will not be extended on the glass and breakable items like lenses etc.
- Product warranty does not cover the physical damages, breakages etc.
- Product warranty ceases if the product is not used as per manufacturer instructions.
- Product warranty is limited to the functional aspects of the fixture.
- Repair or Replacement is depend on the variance of complaint subject to manufacturer decision.

Instructions:

This Product is IP20 rated. For proper operation, follow the **Installation guidelines described in this manual. Only qualified and** certified personnel should perform the installation and only the original rigging parts (brackets, holders, clamps, safety cables) included with this fixture should be used for installation. Any modifications will void the original manufactures warranty and increase the risk of damage and/or personal injury.

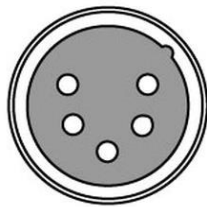
- Never look directly into the light source to prevent risk of injury to your retina, which may induce blindness. Those suffering from EPILEPSY should avoid looking directly into the light source of this unit at all times.
- The fan and air inlets must remain clean and never blocked. Allow approx. 6" (15cm) between this fixture and other devices or a wall for proper cooling.
- Always disconnect from main power source before performing any type of service and/or cleaning procedure. Only handle the power cord by the plug end, never pull by tugging the wire portion of the cord.
- Do NOT operate fixture if the power cord has become frayed, crimped and/or damaged. If the power cord is damaged, replace it immediately with a new one of similar power rating.
- Do NOT operate fixture near any flammable materials.
- Do NOT operate fixture in dusty environments.
- Fixture is IP20 rated and should be operated at the dry spaces. Fixture may get damaged to moistures and wet environments.
- This fixture has a inbuilt signal dimming system. Do NOT connect this fixtures for external dimmer packs.
- We urge you to ensure proper mechanical fitments of clamps and a usage of safety chains while suspending from the top.

FIXTURE OVERVIEW :



1	Knob	2	DmX In	3	Power In
4	Power Out	5	DmX Out	6	7 Segment Display

DmX Input
5 Pin XLR Socket



DmX Output
5 Pin XLR Socket



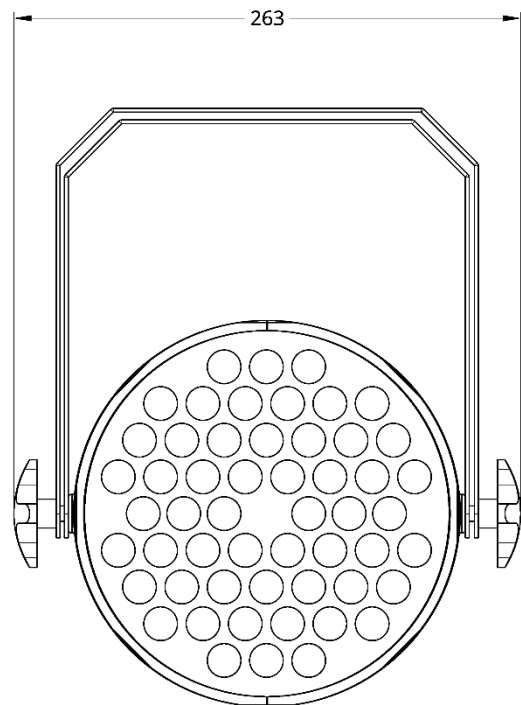
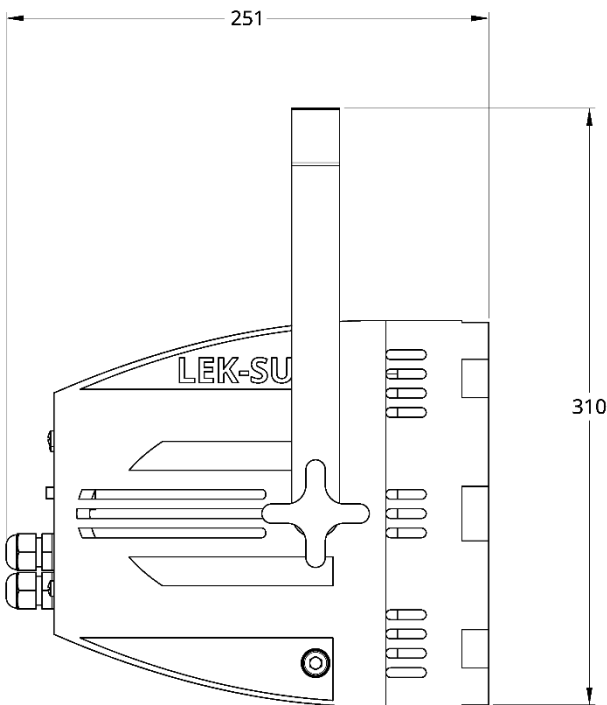
1: Ground **Note:**

- 2: Data (-) - DmX 512 Signal looping can be done from One fixture to other.
- 3: Data (+) - Maximum 25 to 30 Fixtures can be taken in a single loop provided the distance is within short range.
- 4: Open - No Y Split is allowed for DmX looping.
- 5: Open - DmX last open end to be terminated with a 120 Ohm Resistor termination plug.

FIXTURE DETAILS:

Type of Fixture	:	LED PAR Light
Lamp Source	:	Light Emitting Diode (LED)
Power Consumptions	:	LEKSUN 543 T/D/BC – 180W
Control Modes	:	Manual Dimming/ DMX Dimming
Power Chord	:	Neutrik Power In & Loop
DmX Interface	:	5 Pin (Std), 3 Pin (Custom)
Dimensions	:	

180W LED PAR Light :



FIXTURE OPERATION:

- Unbox the fixture and connect Power Neutrik inlet connector to the fixture to power UP.
- There are 4 Switches – Menu Up Down Enter

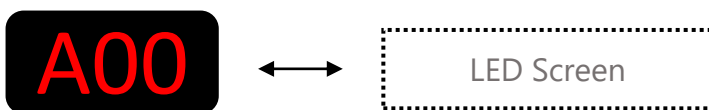
BUTTON	FUNCTION
<Menu>	Used to scroll through the current operating mode, as well as back out of the current menu option.
<UP>	Used to select an increasing value.
<DOWN>	Used to select a decreasing value.
<ENTER>	Used to activate a selection and store it to memory.

DMX Operation:

This operating mode will allow for control with an external DMX controller. You must set the starting address for this mode.

Please see the instructions below for details on this mode.

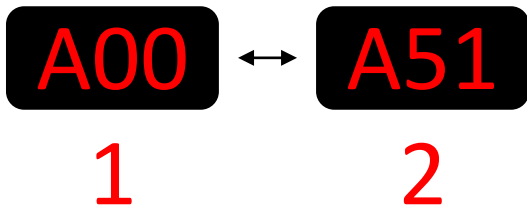
- Plug the fixture into power.
- Plug a DMX controller into the fixture in a daisy chain configuration.
- Press <Menu> until Address appears on the LED screen.



- Press **1** <ENTER>
- Using <UP> & <DOWN>, select the DMX starting address.
- Press <ENTER>.

MANUAL OPERATION:

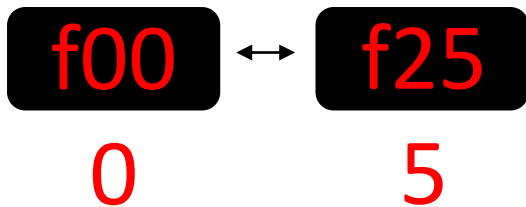
- All the function can be selected and press "Enter" to confirm.



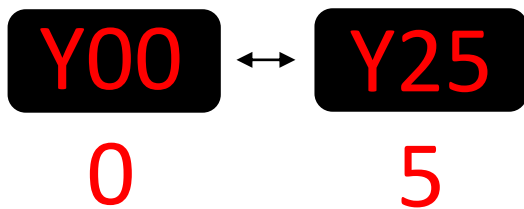
2 Channel DMX address. **A001** indicates 0% light intensity and **A512** indicates 100% light intensity. Use "▲▼" key to select the required light intensity.



It indicates sound mode. The light will flicker according to the music beat.



Flickering, **Y000** indicates 0% Flickering and **F255** indicates 100% Flickering, Use "▲▼" key to revise Flickering speed.



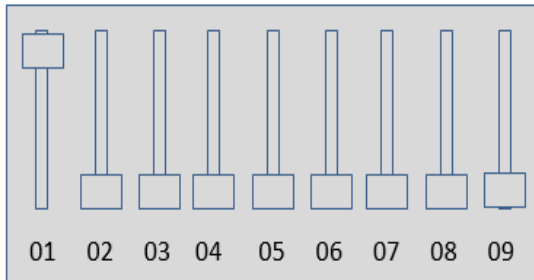
Strobe, **Y000** indicates 0% Strobe and **Y255** indicates 100% Strobe, Use "▲▼" key to revise strobe speed.

DMX Channel Values :

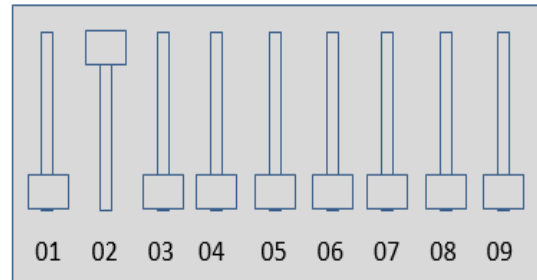
No	Function
CH1	Master Dimming
CH2	Master Strobe

- Bi Color fixture (Seven Segment Display) will shows the 2 channel indication and user will get 2 channel control in the DMX controller .

- Operation using console for Bi Color explained below, Fader 1 for Master Dimming 0 to 100% and Fader 2 used for Strobe 0 to 100%.



**DMX CH. 1 - Master / Dimmer
0 to 100%**



**DMX CH. 1 - Strobe
0 to 100%**

Note:

- In a DmX Mode, Light fixture will operate with 2 Channel.
- CW – Stands for Cool White 5600K, WW – Stands for Warm White 3200K.
- Do NOT open the fixture for any kind of repair. There are parts which can be operated by authorized personnel's Only.

For Further assistance, you are requested to contact our office or authorized dealers.
We are there at your service.

Thank You for Choosing Leksa Lighting:

Leksa Lighting Technologies Pvt. Ltd.

Ashwathapura Road, Mangaore – 574227, India

www.leksalighting.com biz@leksalighting.com +91-7899 543210