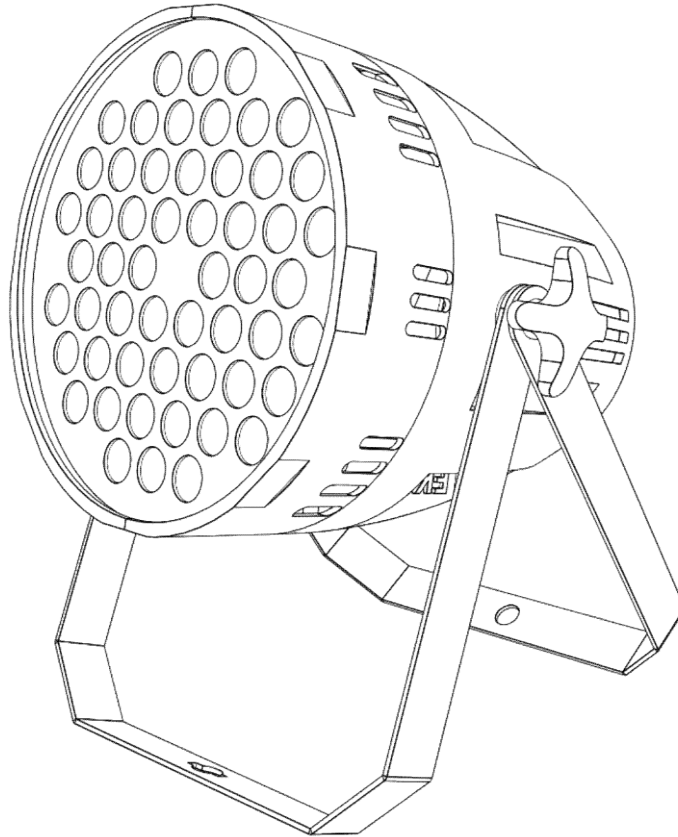


**USER GUIDE FOR
LED PAR RGB LIGHT**



Applicable Models:

LEKSUN G1 54 x 3W – 180W

User manual
V 1.0

Leksa Lighting® all rights reserved. Information, Specifications, Images and Instructions given in the document herein subject to change without further notice. Leksa Lighting Logo, Data and Indicated product names, Model no's herein the trade marks of Leksa Lighting.

You may connect to below contact for your queries:

 Leksa Lighting Technologies Pvt. Ltd

Ashwathpura Road, Mangalore – 574227, India

 biz@leksalighting.com  www.leksalighting.com

 +91-7899 – 543210

For Quality and Service support reach us @ quality@leksalighting.com

Important Notice:

There are no user serviceable parts inside the fixture. Do not attempt any repairs yourself; doing so will cease the manufacturing warranty and such acts will void the manufacturer warranty claims.

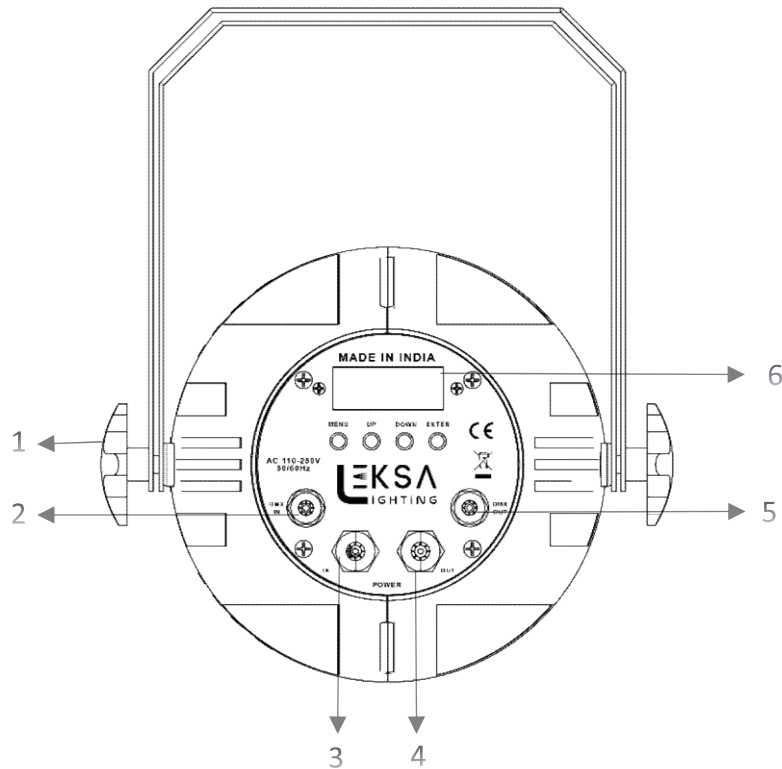
- Warranty claims to be reported to the above referred email ID's with the product SI Nos.
- Warranty will not be extended on the glass and breakable items like lenses etc.
- Product warranty does not cover the physical damages, breakages etc.
- Product warranty ceases if the product is not used as per manufacturer instructions.
- Product warranty is limited to the functional aspects of the fixture.
- Repair or Replacement is depend on the variance of complaint subject to manufacturer decision.

Instructions:

This Product is IP20 rated. For proper operation, follow the **Installation guidelines described in this manual. Only qualified and** certified personnel should perform the installation and only the original rigging parts (brackets, holders, clamps, safety cables) included with this fixture should be used for installation. Any modifications will void the original manufactures warranty and increase the risk of damage and/or personal injury.

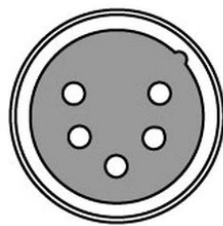
- Never look directly into the light source to prevent risk of injury to your retina, which may induce blindness. Those suffering from EPILEPSY should avoid looking directly into the light source of this unit at all times.
- The fan and air inlets must remain clean and never blocked. Allow approx. 6" (15cm) between this fixture and other devices or a wall for proper cooling.
- Always disconnect from main power source before performing any type of service and/or cleaning procedure. Only handle the power cord by the plug end, never pull by tugging the wire portion of the cord.
- Do NOT operate fixture if the power cord has become frayed, crimped and/or damaged. If the power cord is damaged, replace it immediately with a new one of similar power rating.
- Do NOT operate fixture near any flammable materials.
- Do NOT operate fixture in dusty environments.
- Fixture is IP20 rated and should be operated at the dry spaces. Fixture may get damaged to moistures and wet environments.
- This fixture has a inbuilt signal dimming system. Do NOT connect this fixtures for external dimmer packs.
- We urge you to ensure proper mechanical fitments of clamps and a usage of safety chains while suspending from the top.

FIXTURE OVERVIEW:

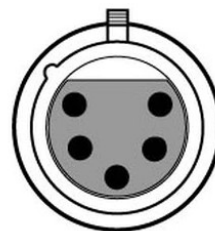


1	Knob	2	DmX In	3	Power In
4	Power Out	5	DmX Out	6	7 Segment Display

DmX Input
5 Pin XLR Socket



DmX Output₃
5 Pin XLR Socket



1: Ground **Note:**

2: Data (-)

3: Data (+)

4: Open

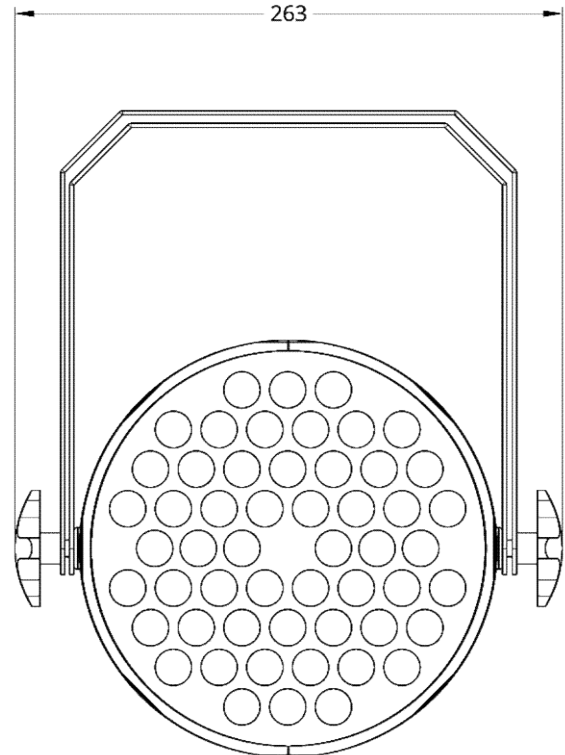
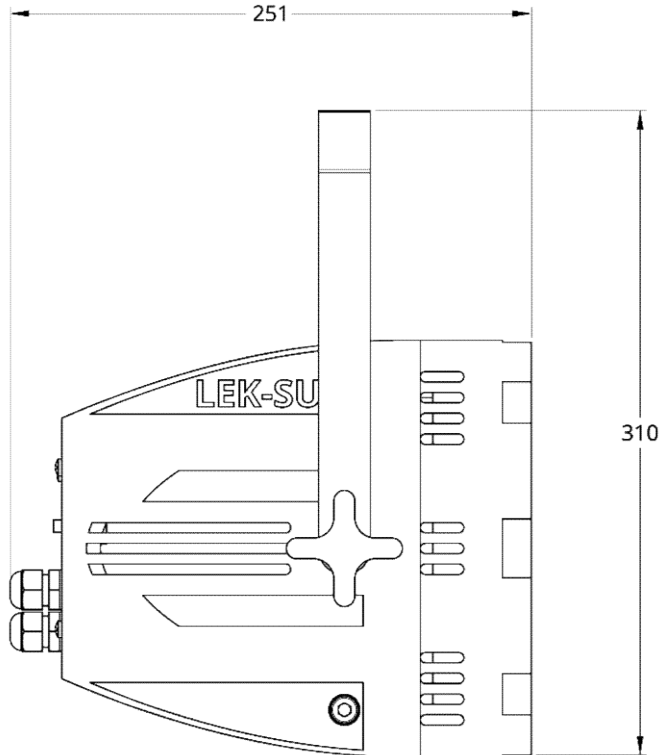
5: Open

- DmX 512 Signal looping can be done from One fixture to other.
- Maximum 25 to 30 Fixtures can be taken in a single loop provided the distance is within short range.
- No Y Split is allowed for DmX looping.
- DmX last open end to be terminated with a 120 Ohm Resistor termination plug.

FIXTURE DETAILS:

Type of Fixture	:	LED PAR RGB Light
Lamp Source	:	Light Emitting Diode (LED)
Power Consumptions	:	LEKSUN G1 54 x 3W – 180W
Control Modes	:	Manual Dimming/ DMX Dimming
Power Chord	:	Neutrik Power In & Loop
DmX Interface	:	5 Pin (Std), 3 Pin (Custom)
Dimensions	:	

180W & 120W LED PAR RGBW Light :



FIXTURE OPERATION:

- Unbox the fixture and connect Power Neutrik inlet connector to the fixture to power UP.
- There are 4 Switches – Menu, Up, Down, Enter,

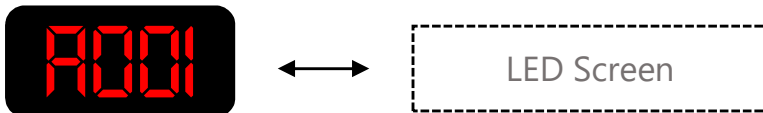
Button	Function
<Menu>	Used to scroll through the current operating mode, as well as back out of the current menu option.
<UP>	Used to select an increasing value.
<DOWN>	Used to select a decreasing value.
<ENTER>	Used to activate a selection and store it to memory.

DMX Operation:

This operating mode will allow for control with an external DMX controller. You must set the starting address for this mode.

Please see the instructions below for details on this mode.

- Plug the fixture into power.
- Plug a DMX controller into the fixture in a daisy chain configuration.
- Press <Menu> until Address appears on the LED screen.



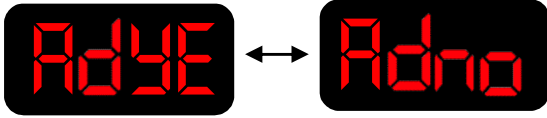
- Press <ENTER>
- Using <UP> & <DOWN>, select the DMX starting address.
- Press <ENTER>.

DMX Channel Values :

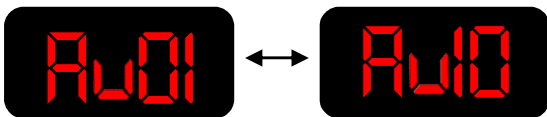
CH	Function
1	Dimmer
2	Red
3	Green
4	Blue
5	White
6	Strobe
7	Colour free set and Sound
8	Free set speed

MANUAL OPERATION:

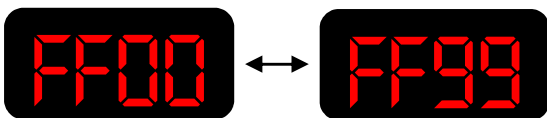
- All the function can be selected and press "Enter" to confirm.



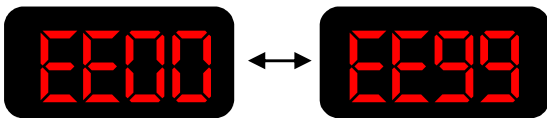
Address Yes, Address No.



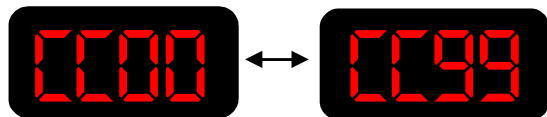
Colorful Mix Changes. Use "ΛV" key to adjust the speed of mix changes.



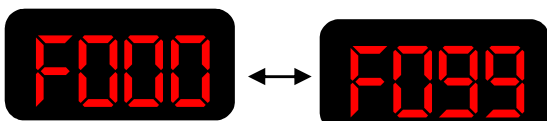
Colorful Pulse Change. **FF00** indicates 0% Pulse Change and **FF99** indicates 100% Pulse Change. Use "ΛV" key to adjust the speed of pulse changes.



Colorful Gradual Change. **EE00** indicates 0% Gradual Change and **EE99** indicates 100% Gradual Change. Use "ΛV" key to adjust the speed of Gradual changes



Colorful Hopping Change. **CC00** indicates 0% Hopping change and **CC99** indicates 100% Hopping change. Use "ΛV" key to adjust the speed of hopping.



Flickering. **F000** indicates 0% Flickering and **F099** indicates 100% Flickering. Use "ΛV" key to revise Flickering speed.



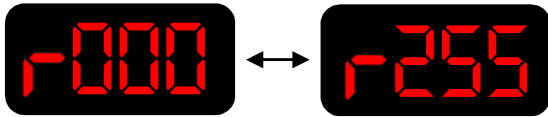
It indicates sound mode. At a time RGB light will flicker according to the music beat.



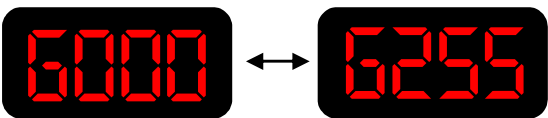
It indicates Sound mode. One on one basis RGB light will flicker according to the music beat.

MANUAL OPERATION:

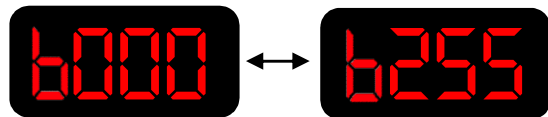
- All the function can be selected and press "Enter" to confirm.



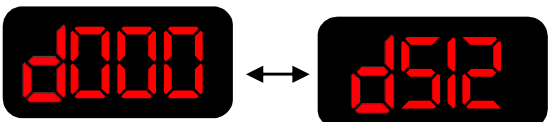
Red color selection. **r000** indicates 0% Red color selection and **r255** indicates 100% Red color selection. Use "ΛV" key to adjust selected color.



Green color selection. **G000** indicates 0% Green color selection and **G255** indicates 100% Green color selection. Use "ΛV" key to adjust selected color.



Blue color selection. **G000** indicates 0% Blue color selection and **G255** indicates 100% Blue color selection. Use "ΛV" key to adjust selected color.



7 Channel DMX address. **d001** indicates 0% light intensity and **A512** indicates 100% light intensity. Use "ΛV" key to select the required light intensity.

Note:

- In a DmX Mode, Light fixture will operate with 7 Channel.
- Do NOT open the fixture for any kind of repair. There are parts which can be operated by authorized personnel's Only.

For Further assistance, you are requested to contact our office or authorized dealers.

We are there at your service.

Thank You for Choosing Leksa Lighting:

Leksa Lighting Technologies Pvt. Ltd.

Ashwathapura Road, Mangaore – 574227, India

www.leksalighting.com biz@leksalighting.com +91-7899 543210