

USER GUIDE FOR 400W LED MOVING HEAD



Applicable Models:

400W LED MOVING HEAD

Leksa Lighting® all rights reserved, Information, Specifications, Images and Instructions given in the document herein subject to change without further notice. Leksa Lighting Logo, Data and Indicated product names, Model no's herein the trademarks of Leksa Lighting.

You may connect to below contact for your queries:

- 📍 Leksa Lighting Technologies Pvt. Ltd
Ashwathpura Road, Mangalore – 574227, India
- ✉ biz@leksalighting.com
- 🌐 www.leksalighting.com
- ☎ +91-7899 – 543210

For Quality and Service support reach us @ service@leksalighting.com

Important Notice:

There are no user serviceable parts inside the fixture. Do not attempt any repairs yourself; doing so will cease the manufacturing warranty and such acts will void the manufacturer warranty claims.

- Warranty claims to be reported to the above referred email ID's with the product Sl. Nos.
- Warranty will not be extended on the glass and breakable items like lenses etc.
- Product warranty does not cover the physical damages, breakages etc.
- Product warranty ceases if the product is not used as per manufacturer instructions.
- Product warranty is limited to the functional aspects of the fixture.
- Repair or Replacement is depending on the variance of complaint subject to manufacturer decision.

Instructions:

This Product is IP20 rated. For proper operation, follow the **Installation guidelines described in this manual. Only qualified and** certified personnel should perform the installation and only the original rigging parts (brackets, holders, clamps, safety cables) included with this fixture should be used for installation. Any modifications will void the original manufactures warranty and increase the risk of damage and/or personal injury.

- Never look directly into the light source to prevent risk of injury to your retina, which may induce blindness. Those suffering from EPILEPSY should avoid looking directly into the light source of this unit at all times.
- The fan and air inlets must remain clean and never blocked. Allow approx. 6" (15cm) between this fixture and other devices or a wall for proper cooling.
- Always disconnect from main power source before performing any type of service and/or cleaning procedure. Only handle the power cord by the plug end, never pull by tugging the wire portion of the cord.
- Do NOT operate fixture if the power cord has become frayed, crimped and/or damaged. If the power cord is damaged, replace it immediately with a new one of similar power rating.
- Do NOT operate fixture near any flammable materials.
- Do NOT operate fixture in dusty environments.
- Fixture is IP20 rated and should be operated at the dry spaces. Fixture may get damaged to moistures and wet environments.
- This fixture has an inbuilt signal dimming system. Do NOT connect this fixture for external dimmer packs.
- We urge you to ensure proper mechanical fitments of clamps and a usage of safety chains while suspending from the top.

Product Instruction

- Input voltage: AC110V-240V/50-60HZ
- Light source specification: 400W
- Light source life: 20000 hours
- Lumen illuminance: 5 meters 120,000 lm
- Rated power: 500W
- Channel mode: 23 channels
- Horizontal scan: 540 degrees (16bit precision scan) electronic error correction
- Vertical scanning: 270 degrees (16bit precision scanning) electronic error correction
- Dimming system: 0-100% linear adjustment
- Focusing system: linear adjustment from 4 meters to 50 meters
- Atomization system: 1 independent atomization effect, soft and natural light spot
- Magnification angle: 4-35 degrees
- High-speed strobe: 0-30 times/sec. Adjustable speed strobe effect. Strobe macro function
- Color: 8 colors + white light. Color half-color function
- Color mixing system: linear CMY+CTO color mixing system.
- Fixed patterns: 12 fixed patterns + white light
- Rotating pattern: 7 glass patterns, each glass pattern can be independently forward and reverse
- Prism system: standard single 6 facet prism and 8 facet prism, each prism can be independently forward and reverse
- Macro function: console reset function, self-propelled mode, master-slave mode
- Display mode: LCD display, key + touch dual operation mode
- Control signal: International standard DMX512. With RDM function, online software
 - upgrade available, dial address code
 - Cooling method: Adopt axial fan to enhance cooling
 - Safety device: with electronic temperature control overheating protection, electronic temperature control automatic power-off protection when the overheating system fails
- Appearance material: high temperature resistant plastic
- Working environment: -20 degrees - 40 degrees
- Protection level: IP20
- Product net weight: 22.5KG
- Product size: 38*27*65CM (L*W*H)

Cable connection (DMX)

Use a cable conforming to specifications EIA RS-485: 2-pole twisted, shielded, 120Ohm characteristic impedance, 22-24 AWG, low capacity. Do not use microphone cable or other cable with characteristics differing from those specified. The end

connections must be made using XLR type 3 or 5-pin male/female connectors. A terminating plug must be inserted into the last projector with a resistance of 120Ohm (minimum 1/4 W) between terminals 2 and 3.

IMPORTANT: The wires must not make contact with each other or with the metal casing of the connectors. The casing itself must be connected to the shield braid and to pin 1 of the connectors.

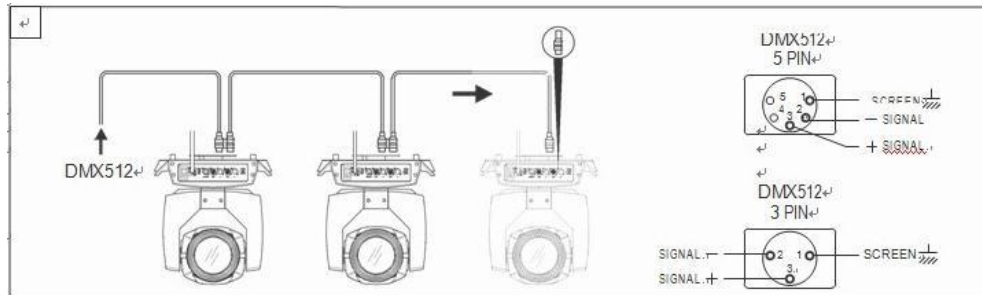


Figure 1 DMX Cable connection

Rigging (Optional)

This equipment can be positioned and fixed by clamp in every direction of the stage. Locking system makes it easy to fasten to the bracket.

Attention! Two clamps is needed to fix the equipment. Every clamp is locked by fastener of 1/4 kind. Fastener can only be locked clockwise.

Attention! Fasten a safety string to the additional hole of side aluminum piece. The secondary accessory cannot hang on the delivery handle. Nip the equipment on bracket.

- Check if rigging clamp (not including the one inside) damaged or not? If stand ten times weight as the equipment. Make sure the architecture can stand ten times weight as all the equipment's, clamps, wirings and other additional fixtures.
- Screws for clamping must be fixed firmly. Take one M12 screw (Grade 8.8 or higher) to clamp bracket, and then screw the nuts.
- Level the two hanging points at the bottom of clamp. Insert fastener to the bottom, lock the two levers by 1/4 rotating clockwise; then install another clamp.
- Install on safety string which stands at least ten times weight as equipment. Terminal of the accessory is designed for clamps.
- Make sure pan/tilt lock unlocked or not. Keep the distance more than 1M from equipment to flammable material or lighting source.

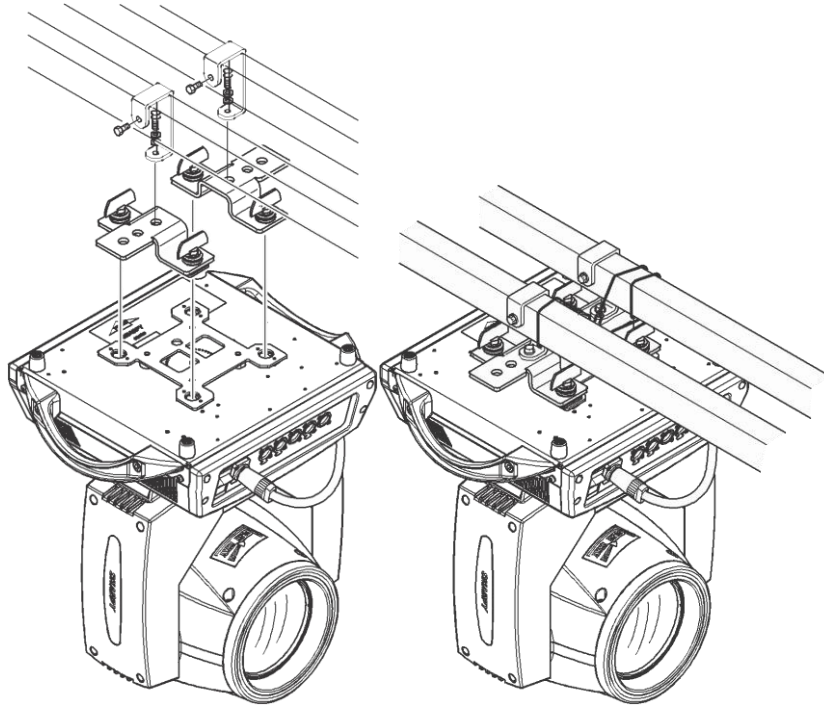


Figure 2 Installation

Chapter 2 Panel operation

Brief

The light panel diagram show as Figure 3, Left area is TFT Displayer, support touch, and right area is KEY, both of touch and KEY can operate light and setting. Display & operation just like 'Android operation system', touch the item will set or modify setting.

Note: Prevent damage the touch or TFT displayer, Can not use sharp objects chick displayer.



Figure 3 Panel diagram

Operation

Operate light with touch or KEY

- The left area is TFT Displayer and touch, click item or value with finger will to complete operation of set light setting (parameters) or view light state.
- The area on the right hand side is 4 KEY, as auxiliary input interface, if disable touch function, the KEYr can be choose to set the parameter.

Parameter value setting

When the selected item is value need to been modified, the dialog shown in Figure 4 will popup.

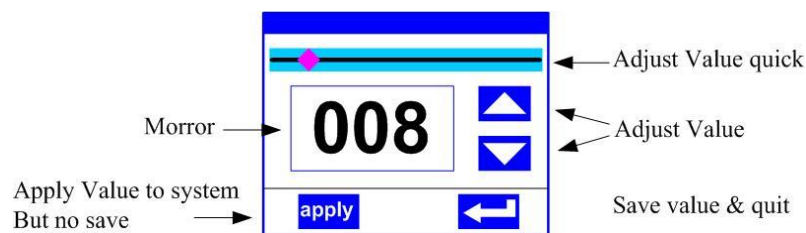


Figure 4 Dialog of value setting

- **Modify value:** Can quickly modify value via pull the slider to the desired position, or click the button of 'up' or 'down' whit finger on the right side to set the exact desired value, another way is roll encoder on the right hand side of panel.
- **Apply value:** When Value had been modified, Then press the bottom of 'apply' in the left corner to apply to the light, but haven't saved;
- **Save Value:** Any time, click on the lower right corner of the "OK" button, the setting will been saved into internal memory.

Boolean parameter setting

- When the selected parameters is a Boolean value (such as ON or OFF), can directly modify setting by chick corresponding item, the setting will been saved right now.
- When the parameter is a key item, chick corresponding item, a dialog shown in Figure 5 will been popup ask for the confirm. Chick 'sure' to confirm.

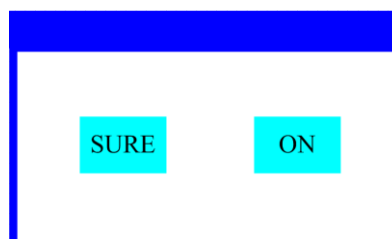


Figure 5 Dialog of confirm

Sub Menu (Parameter)

Chick item of main menu, enter corresponding sub menu, shown in Figure 6, total 6 sub menu, includes class of parameter and status:

- **ADDRESS:** Set light DMX address.

- **WORKMOD:** Set light work mode, master or slave mode when in auto run mode.
- **DISPLAY:** Set display parameter, eg. Select language.
- **TEST:** Used for test light, modify DMX channel data to test function, the corresponding function of reference channel function table.
- **ADVANCE:** Set light running parameter.
- **STATUS:** view light current status.

<table border="1" style="width: 100%; border-collapse: collapse;"> <tr><td>Address</td><td colspan="2"></td></tr> <tr><td>WorkMode</td><td style="text-align: center; font-size: 2em;">001</td><td style="text-align: right;">Previous</td></tr> <tr><td>Display</td><td colspan="2" style="text-align: center; font-size: 1.5em;">23CHA. 01.01</td></tr> <tr><td>Scene</td><td colspan="2" style="text-align: right;">Next</td></tr> <tr><td>Advanced</td><td colspan="2"></td></tr> <tr><td>Status</td><td style="text-align: center;">Channel</td><td style="text-align: center;">SysRst</td></tr> <tr><td>Escape</td><td colspan="2"></td></tr> </table>	Address			WorkMode	001	Previous	Display	23CHA. 01.01		Scene	Next		Advanced			Status	Channel	SysRst	Escape			<table border="1" style="width: 100%; border-collapse: collapse;"> <tr><td>Address</td><td>DMX Ctrl</td><td></td></tr> <tr><td>WorkMode</td><td>Auto Run</td><td></td></tr> <tr><td>Display</td><td>Sound Ctrl</td><td></td></tr> <tr><td>Scene</td><td>Scene Mode</td><td>Auto</td></tr> <tr><td>Advanced</td><td>M/S Choose</td><td>Auto</td></tr> <tr><td>Status</td><td></td><td></td></tr> <tr><td>Escape</td><td></td><td></td></tr> </table>	Address	DMX Ctrl		WorkMode	Auto Run		Display	Sound Ctrl		Scene	Scene Mode	Auto	Advanced	M/S Choose	Auto	Status			Escape			<table border="1" style="width: 100%; border-collapse: collapse;"> <tr><td>Address</td><td>语言</td><td>English</td></tr> <tr><td>WorkMode</td><td>Screen saver</td><td>Mode 3</td></tr> <tr><td>Display</td><td>Screen Rot</td><td>Auto</td></tr> <tr><td>Scene</td><td>DMX Indicate</td><td>Mode3</td></tr> <tr><td>Advanced</td><td>Screen Light</td><td>010</td></tr> <tr><td>Status</td><td>Touch Enable</td><td>ON</td></tr> <tr><td>Escape</td><td>Touch Rectify</td><td></td></tr> </table>	Address	语言	English	WorkMode	Screen saver	Mode 3	Display	Screen Rot	Auto	Scene	DMX Indicate	Mode3	Advanced	Screen Light	010	Status	Touch Enable	ON	Escape	Touch Rectify	
Address																																																																	
WorkMode	001	Previous																																																															
Display	23CHA. 01.01																																																																
Scene	Next																																																																
Advanced																																																																	
Status	Channel	SysRst																																																															
Escape																																																																	
Address	DMX Ctrl																																																																
WorkMode	Auto Run																																																																
Display	Sound Ctrl																																																																
Scene	Scene Mode	Auto																																																															
Advanced	M/S Choose	Auto																																																															
Status																																																																	
Escape																																																																	
Address	语言	English																																																															
WorkMode	Screen saver	Mode 3																																																															
Display	Screen Rot	Auto																																																															
Scene	DMX Indicate	Mode3																																																															
Advanced	Screen Light	010																																																															
Status	Touch Enable	ON																																																															
Escape	Touch Rectify																																																																
<table border="1" style="width: 100%; border-collapse: collapse;"> <tr><td>Address</td><td>Scene Select</td><td>1</td></tr> <tr><td>WorkMode</td><td>Scene Time</td><td>0.0s</td></tr> <tr><td>Display</td><td>Control Mode</td><td>OFF</td></tr> <tr><td>Scene</td><td>01. Pan</td><td>000</td></tr> <tr><td>Advanced</td><td>02. Pan Fine</td><td>000</td></tr> <tr><td>Status</td><td>03. Tilt</td><td>000</td></tr> <tr><td>Escape</td><td>04. Tilt Fine</td><td>000</td></tr> </table>	Address	Scene Select	1	WorkMode	Scene Time	0.0s	Display	Control Mode	OFF	Scene	01. Pan	000	Advanced	02. Pan Fine	000	Status	03. Tilt	000	Escape	04. Tilt Fine	000	<table border="1" style="width: 100%; border-collapse: collapse;"> <tr><td>Address</td><td>Pan Invert</td><td>OFF</td></tr> <tr><td>WorkMode</td><td>Tilt Invert</td><td>OFF</td></tr> <tr><td>Display</td><td>P/T Rectify</td><td>ON</td></tr> <tr><td>Scene</td><td>Pan Offset</td><td>010</td></tr> <tr><td>Advanced</td><td>Tilt Offset</td><td>010</td></tr> <tr><td>Status</td><td>Data hold</td><td>ON</td></tr> <tr><td>Escape</td><td>Factory Setting</td><td></td></tr> </table>	Address	Pan Invert	OFF	WorkMode	Tilt Invert	OFF	Display	P/T Rectify	ON	Scene	Pan Offset	010	Advanced	Tilt Offset	010	Status	Data hold	ON	Escape	Factory Setting		<table border="1" style="width: 100%; border-collapse: collapse;"> <tr><td>Address</td><td>Stepper info</td><td></td></tr> <tr><td>WorkMode</td><td>Error Logging</td><td></td></tr> <tr><td>Display</td><td>Fixture Status</td><td></td></tr> <tr><td>Scene</td><td>Version</td><td>H2.12</td></tr> <tr><td>Advanced</td><td>Light time</td><td>24:00</td></tr> <tr><td>Status</td><td>Total time</td><td>24:00</td></tr> <tr><td>Escape</td><td></td><td></td></tr> </table>	Address	Stepper info		WorkMode	Error Logging		Display	Fixture Status		Scene	Version	H2.12	Advanced	Light time	24:00	Status	Total time	24:00	Escape		
Address	Scene Select	1																																																															
WorkMode	Scene Time	0.0s																																																															
Display	Control Mode	OFF																																																															
Scene	01. Pan	000																																																															
Advanced	02. Pan Fine	000																																																															
Status	03. Tilt	000																																																															
Escape	04. Tilt Fine	000																																																															
Address	Pan Invert	OFF																																																															
WorkMode	Tilt Invert	OFF																																																															
Display	P/T Rectify	ON																																																															
Scene	Pan Offset	010																																																															
Advanced	Tilt Offset	010																																																															
Status	Data hold	ON																																																															
Escape	Factory Setting																																																																
Address	Stepper info																																																																
WorkMode	Error Logging																																																																
Display	Fixture Status																																																																
Scene	Version	H2.12																																																															
Advanced	Light time	24:00																																																															
Status	Total time	24:00																																																															
Escape																																																																	

Figure 6 Parameter menu

Operation and parameter instruction

Via following operation, enter sub menu (parameter menu) shown in Figure 6

- In main menu, click 1/6 function button into corresponding parameter menu.
- In sub menu (page), click main item on the left side of displayer, can shift to corresponding sub menu (page) quickly.

ADDR--> Address: Set DMX Address

Click and select the "ADDR", can enter the page of DMX address setting, range from 1 to 512, the address code shouldn't be not greater than (512- channels quantity), otherwise the light will not be controlled. Following is the operation:

Enter the page of DMX address, as shown in Figure 7, click the blank area in right side of display will pop-up dialog as in Fig. 4, modify value, then click 'ENTER' to confirm and save DMX address code.

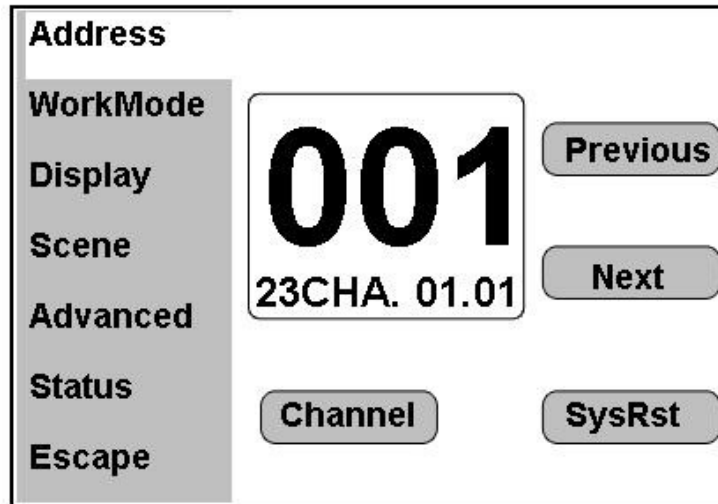


Figure 7 page of DMX Address

MODE--> Work Mode: Set Light work mode

Enter the page of 'Work Mode' as shown in

Figure 8 and modify setting. Can set light work mode, control lamp and DMX channel mode.

Address	DMX Ctrl	
WorkMode	Auto Run	
Display	Sound Ctrl	
Scene	Scene Mode	Auto
Advanced	M/S Choose	Auto
Status		
Escape		

Figure 8 page of work mode

- **DMX Ctrl:** Choose to set DMX Mode,
- **Auto Run:** Choose to set Auto Mode,
- **Sound Ctrl:** Choose to set Sound Mode,
- **M/S Choose:** Available just in 'AUTO RUN' or 'SOUND Ctrl' mode.
ON--> Master. (Data will be send to other slave lamp immediately.)
OFF--> Slaver. (NOT send data to other lamp via DMX Cable). (**Default**)
- **Light Switch:**
ON--> Turn on the light,
OFF--> Turn off the light.
- **Channel Qty:** Light support 2 DMX Channel mode: sample or extend
Simple --> 16CH. (**Default**)
Expand--> 20CH (or null).

DISP-->DISPLAY: Set display

Light support 2 language, rotation display, Enter page as shown in Figure9 to set parameter following:

Address	语言	English
WorkMode	Screen saver	Mode 3
Display	Screen Rot	Auto
Scene	DMX Indicate	Mode3
Advanced	Screen Light	010
Status	Touch Enable	ON
Escape	Touch Rectify	

Figure9 page of display

- **Language:** English / 中文.
- **Screen Saver:** when panel is idle (these is no operation in 10 second), displayer will enter saver status.
 OFF--> No screen saver.
 Mode1--> Power-saving mode, turn off the display.
 Mode2--> Displays the current address.
 Mode3--> Displays the icon and the current working mode.(**Default**)
- Screen Rotation: To turning display.**
 ON--> Normal display.(**Default**)
 OFF--> 180° turning display.
- Touch enable:** Disable or enable touch function,.
 ON--> Enable touch function. (**Default**)
 OFF--> Disable touch function.
- Touch adjust:** Adjust touch function. Normally, not enter this item.

TEST--> Test Mode

Enter the page as shown in Figure 10, light will into test mode, in this mode, the light does not receive the data for DMX controller.

Address	Scene Select	1
WorkMode	Scene Time	0.0s
Display	Control Mode	OFF
Scene	01. Pan	000
Advanced	02. Pan Fine	000
Status	03. Tilt	000
Escape	04. Tilt Fine	000

Figure 10 page of Test

- PAN:** range for 0 to 255;
- TILT:** range for 0 to 255;
- FOCUS:** range for 0 to 255;
- COLOR:** range for 0 to 255;
- GOBO:** range for 0 to 255;
- PRISM:** range for 0 to 255;
- FROST:** range for 0 to 255;
- STROBE:** range for 0 to 255;

ADVA-->Advanced: Set light run parameter

Enter the page as shown in Figure 10, set the parameter of light:

Address	Pan Invert	OFF
WorkMode	Tilt Invert	OFF
Display	P/T Rectify	ON
Scene	Pan Offset	010
Advanced	Tilt Offset	010
Status	Data hold	ON
Escape	Factory Setting	

Figure 11 page of run parameter

- Pan Invert: Reverse PAN move**
OFF--> Pan Normal move. **(Default)**
ON--> Reverse PAN move.
- Tilt Invert: Reverse TILT move**
OFF--> Tilt Normal move. **(Default)**

ON--> Reverse Tilt move.

P/T Rectify: Disable or enable position rectify function.

OFF--> Disable P/T rectify

ON--> Enable P/T rectify-(**Default**)

Pan Offset: Set PAN original position. **Default: 10**

Tilt Offset: Set TILT original position. **Default: 10**

Lamp when:

Power ON--> Turn on the lamp when power on. (**Default**)

RstDone--> Turn on the lamp after reset.

Manual--> manually turn on the lamp.

Data hold:

OFF--> When no DMX signal, return to middle position. (**Default**)

ON--> when no DMX signal, stop in the final position.

Factory Setting: Restore all parameter to factory setting.

Status: View status

Enter the page as shown in Figure 12:

Address	Stepper info	
WorkMode	Error Logging	
Display	Fixture Status	
Scene	Version	H2.12
Advanced	Light time	24:00
Status	Total time	24:00
Escape		

Figure 12 page of status

Work Mode: Show the current working mode.

Address: Show the current address.

Version: Show the version of the lamp.

Elapse: Working hours after turn on.

Total: Cumulative hours of operation

Channel description

Channel table

23CH	FUNCTION	VALUE	DESCRIPTION
CH1	PAN	0-255	0-540 Degree
CH2	PAN FINE	0-255	0-2 Degree
CH3	TILT	0-255	0-270 Degree
CH4	TILT FINE	0-255	0-1 Degree
CH5	P/T SPEED	0-255	From fast to slow
CH6	DIMMER	0-255	0-100% Dimmer
CH7	STROBE	0-3	Dark
		4-103	Slow strobe to fast strobe
		104-107	White
		108-207	Slow strobe to fast strobe (mode 2)
		208-212	White
		213-251	Free strobe
		252-255	White
CH8	COLOR	0-9	White
		10-19	Color 1
		20-29	Color 2
		30-39	Color 3
		40-49	Color 4
		50-59	Color 5
		60-69	Color 6
		70-79	Color 7
		80-89	Color 8
		90-99	White+Color 1
		100-109	Color 1+Color 2
		110-119	Color 2+Color 3
		120-129	Color 3+Color 4
		130-139	Color 4+Color 5
		140-149	Color 5+Color 6
		150-159	Color 6+Color 7
		160-169	Color 7+Color 8
		170-179	Color 8+Color 9
		180-215	Fast to slow positive rainbow
		216-220	Stop

		221-255	Slow to fast negative rainbow
CH9	CTO	0-255	0-100%
CH10	C	0-255	0-100%
CH11	M	0-255	0-100%
CH12	Y	0-255	0-100%
CH13	FIXED GOBO	0-4	White
		5-9	Gobo 1
		10-14	Gobo 2
		15-19	Gobo 3
		20-24	Gobo 4
		25-29	Gobo 5
		30-34	Gobo 6
		35-39	Gobo 7
		40-44	Gobo 8
		45-49	Gobo 9
		50-54	Gobo 10
		55-59	Gobo 11
		60-64	Gobo 12
		65-69	Gobo 1 shaking slow to fast
		70-74	Gobo 2 shaking slow to fast
		75-79	Gobo 3 shaking slow to fast
		80-84	Gobo 4 shaking slow to fast
		85-89	Gobo 5 shaking slow to fast
		90-94	Gobo 6 shaking slow to fast
		95-99	Gobo 7 shaking slow to fast
		100-104	Gobo 8 shaking slow to fast
105-109	Gobo 9 shaking slow to fast		
110-114	Gobo 10 shaking slow to fast		
115-119	Gobo 11 shaking slow to fast		
120-127	Gobo 12 shaking slow to fast		
128-190	Fast to slow positive rainbow		
191-192	Stop		
193-255	Slow to fast negative rainbow		
CH14	ZOOM	0-255	From big to small
CH15	FOCUS	0-255	From far to near
CH16	ROT GOBO	0-9	White
		10-19	Gobo 1

		20-29	Gobo 2
		30-39	Gobo 3
		40-49	Gobo 4
		50-59	Gobo 5
		60-69	Gobo 6
		70-79	Gobo 7
		80-89	Shake slow to fast GOBO1
		90-99	Shake slow to fast GOBO2
		100-109	Shake slow to fast GOBO3
		110-119	Shake slow to fast GOBO4
		120-129	Shake slow to fast GOBO5
		130-139	Shake slow to fast GOBO6
		140-149	Shake slow to fast GOBO7
		150-199	Rotate forward (fast to slow)
		200-255	Rotate reverse (slow to fast)
CH17	GOBO ROTATING	0-127	0-360 degrees
		128-187	Rotate forward (fast to slow)
		188-195	Stop
		196-255	Rotate reverse (slow to fast)
CH18	PRISM 1	0-127	Close
		128-255	Open
CH19	PRISM 1 ROT	0-127	0-400 degree
		128-187	Fast to slow positive rainbow
		188-195	Stop
		196-255	Slow to fast negative rainbow
CH120	PRISM 2	0-127	Close
		128-255	Open
CH21	PRISM 2 ROT	0-127	0-400 degree
		128-187	Fast to slow positive rainbow
		188-195	Stop
		196-255	Slow to fast negative rainbow
CH22	FROST	0-127	No function
		128-255	Frost
CH23	RESET	001-209	null
		210-215	3 seconds to reset XY motors
		220-235	3 seconds to reset Effect motors
		240-255	3 seconds to reset all

Common faults and use attention

Common fault handling

The lamp contains professional components such as microcomputer circuit board and high-voltage power supply. For your safety and product life, non-professionals should not disassemble the lamp and related accessories without authorization.

1. The bulb does not light up (except LED light source)

Possible cause: The bulb is not completely cooled, or the bulb has reached the end of its life, the treatment is as follows:

- Due to abnormal operation, the bulb is not completely cooled down, so let the lamp body cool down for more than 10 minutes to make the inside completely return to normal state, and then turn on the power again.;
- Check whether the bulb has reached the end of its life, and replace it with a new one;
- Check whether the bulb and the lighter circuit are leaking, falling off, or having poor contact;
- Replace with a new lighter.

2. The light beam appears dim

Possible cause: The bulb has been used for a long time or the light path is not clean, the treatment is as follows:

- Check whether the bulb has reached the end of its life, and replace it with a new one;
- Check whether the optical components or bulbs are clean, and whether there is dust on the bulbs and other optical components. Regular cleaning and maintenance of the bulbs and components in the lamps are required.

3. Fuzzy pattern projection

- Check whether the electronic focus channel value is suitable for the current projection distance.

4. The lamps work intermittently

Possible cause: The internal circuit enters the protection state, and the treatment is as follows:

- Check whether the fan is operating normally or whether it is dirty, causing the internal temperature of the lamp to rise;
- Check whether the internal temperature control switch is closed;
- Check whether the bulb has reached the end of its service life, and replace it with a new one.

5. After the lamp is reset normally, it does not accept the control of the console

Possible cause: signal line failure or abnormal lamp parameter setting, the treatment is as follows:

- Check the start address code and check the connection of the DMX signal line (whether the signal line cable is intact, and whether the connection of the head is loose);

- Add signal amplifier, add 120 ohm terminal resistance;

6. The lamp can't start

Possible cause: bad power line, the treatment is as follows:

- Check whether the fuse on the power input socket is fused, replace the fuse;
- Lamps have poor line contact due to vibration during -distance transportation
- Check the input power, computer board and other pllongug-in devices.

Precautions for use

- Check whether the local power supply meets the requirements of the rated voltage of the product, and the leakage protector, overcurrent protector, etc. meet the requirements of the load;
- Do not use power cords with damaged insulation, and do not overlap power cords with other wires;
- The lamp adopts strong air cooling, which is easy to accumulate dust. It must be cleaned once a month, especially the heat dissipation vent, otherwise it will be blocked by the accumulation of dust, resulting in poor heat dissipation and abnormalities in the lamp.
- When installing the lamp, the fixing screws must be fastened, with safety cables, and regular inspections;
- When installing and positioning the luminaire, keep a minimum distance of 10 meters between any point on the surface of the luminaire and any flammable and explosive object, and the distance from the irradiated object is 2.5 meters. Please do not install the luminaire directly on the surface of combustible materials.;
- It is recommended that the continuous working time of the lamp should not exceed 10 hours, and the interval between continuous starting of the lamp should not be less than 10 minutes, otherwise it will not be triggered normally due to the lamp overheating protection;
- The closing time using the on-off valve should not exceed 5 minutes. If you need to close the light for a long time, you should use the console (lighting control channel) to turn off the light.;
- In order to ensure that multiple luminaires better comply with the scene effect, the luminaire should not be in the unfinished current scene all the time, that is, start the next scene action, it is best not to exceed 3 minutes in this state to ensure that multiple luminaires can run simultaneously;
- During use, if there is an abnormality in the lamp, stop using the lamp in time to prevent other malfunctions.

Precautions for using RDM

RDM is an extended version of the DMX512-A protocol. It is a remote device management protocol. The traditional DMX512 protocol communication is one-way communication. The protocol is based on the RS-485 bus. RS-485 is a time-sharing multi-point, half-duplex protocol. Only allowed at the same time one port is the output of the host, so, pay attention to the following points when using RDM:

- To use a console or host device that supports the RDM protocol host;
- To use a two-way signal amplifier, the traditional one-way signal amplifier is not suitable for the RDM protocol, because the RMD protocol requires feedback data, and the use of a one-way amplifier will block the returned data, resulting in the search for lamps and lanterns;
- All lamps must be set to DMX mode to ensure that there is only one host on the signal line;
- A 120ohm impedance matching resistor must be inserted between terminals 2 and 3 of the terminal plug. When the signal line is relatively long, the use of differential signals will be more stable when the signal line is relatively long, which is conducive to the quality of communication;

When it appears that the lamp accepts DMX control, but cannot search for the lamp by RDM, first check the signal amplifier, and then check whether there is a bad connection between the 2 and 3 lines of the signal line.

For Further assistance, you are requested to contact our office or authorized dealers.
We are there at your service.

Thank You for Choosing Leksa Lighting:

Leksa Lighting Technologies Pvt. Ltd.
Ashwathapura Road, Moodbidri,
Mangalore – 574227, India
www.leksalighting.com
biz@leksalighting.com
+91-7899 543210