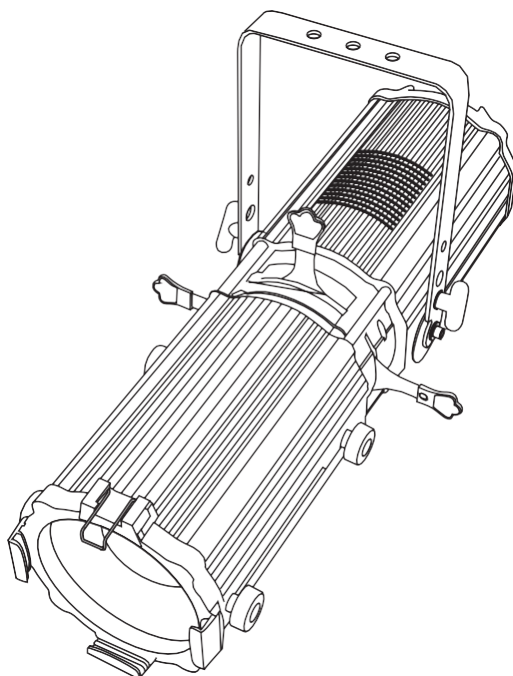


USER GUIDE FOR 300W LED ZOOM PROFILE WW/CW



Applicable Models:

300W LED ZOOM PROFILE WW/CW - 15°~38°

Leksa Lighting® all rights reserved, Information, Specifications, Images and Instructions given in the document herein subject to change without further notice. Leksa Lighting Logo, Data and Indicated product names, Model no's herein the trademarks of Leksa Lighting.

You may connect to below contact for your queries:

- 📍 Leksa Lighting Technologies Pvt. Ltd
Ashwathpura Road, Mangalore – 574227, India
- ✉ biz@leksalighting.com
- 🌐 www.leksalighting.com
- 📞 +91-7899 – 543210

For Quality and Service support reach us @ quality@leksalighting.com

Important Notice:

There are no user serviceable parts inside the fixture. Do not attempt any repairs yourself; doing so will cease the manufacturing warranty and such acts will void the manufacturer warranty claims.

- Warranty claims to be reported to the above referred email ID's with the product Sl. Nos.
- Warranty will not be extended on the glass and breakable items like lenses etc.
- Product warranty does not cover the physical damages, breakages etc.
- Product warranty ceases if the product is not used as per manufacturer instructions.
- Product warranty is limited to the functional aspects of the fixture.
- Repair or Replacement is depending on the variance of complaint subject to manufacturer decision.

Instructions:

This Product is IP20 rated. For proper operation, follow the **Installation guidelines described in this manual. Only qualified and** certified personnel should perform the installation and only the original rigging parts (brackets, holders, clamps, safety cables) included with this fixture should be used for installation. Any modifications will void the original manufactures warranty and increase the risk of damage and/or personal injury.

- Never look directly into the light source to prevent risk of injury to your retina, which may induce blindness. Those suffering from EPILEPSY should avoid looking directly into the light source of this unit at all times.
- The fan and air inlets must remain clean and never blocked. Allow approx. 6" (15cm) between this fixture and other devices or a wall for proper cooling.
- Always disconnect from main power source before performing any type of service and/or cleaning procedure. Only handle the power cord by the plug end, never pull by tugging the wire portion of the cord.
- Do NOT operate fixture if the power cord has become frayed, crimped and/or damaged. If the power cord is damaged, replace it immediately with a new one of similar power rating.
- Do NOT operate fixture near any flammable materials.
- Do NOT operate fixture in dusty environments.
- Fixture is IP20 rated and should be operated at the dry spaces. Fixture may get damaged to moistures and wet environments.
- This fixture has an inbuilt signal dimming system. Do NOT connect this fixture for external dimmer packs.
- We urge you to ensure proper mechanical fitments of clamps and a usage of safety chains while suspending from the top.

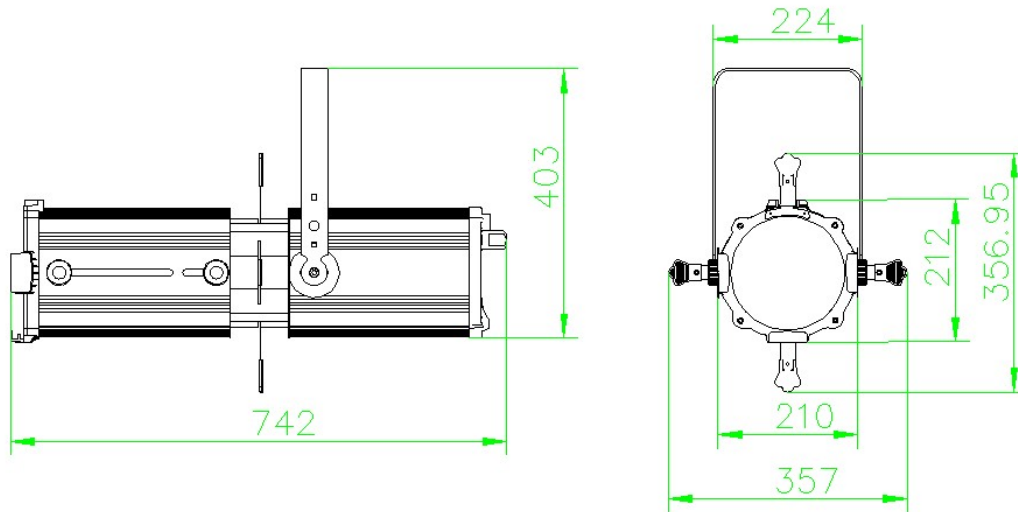
FEATURES & SPECIFICATIONS

Feature:

- 1*300W COB LED (available for CW 5600K)
- 50,000 hours life time and low power consumption
- Color Rendering Index(CRI): Ra≥90
- High quality optical system and field uniformity
- High contrast aspheric lens
- Manual zoom system from 15°-38°
- Beam edge continually adjustable hard-to-soft
- Aluminum alloy housing
- Thermally insulated rear handle
- High-strength single handle design
- 4 Metal spot cutting
- Ultra smooth 16-bit dimming
- Strobe :1-25times/sec
- 1/3 DMX channels
- DMX512,Master/Slave mode, static mode
- 4-Button digital display
- POWRECON connector IN/OUT,3-Pin and 5-pin XLR connectors IN/OUT
- Low noise fan with copper liquid cooling system
- Working Temperature: -10°C~40°C
- IP20 protection rating

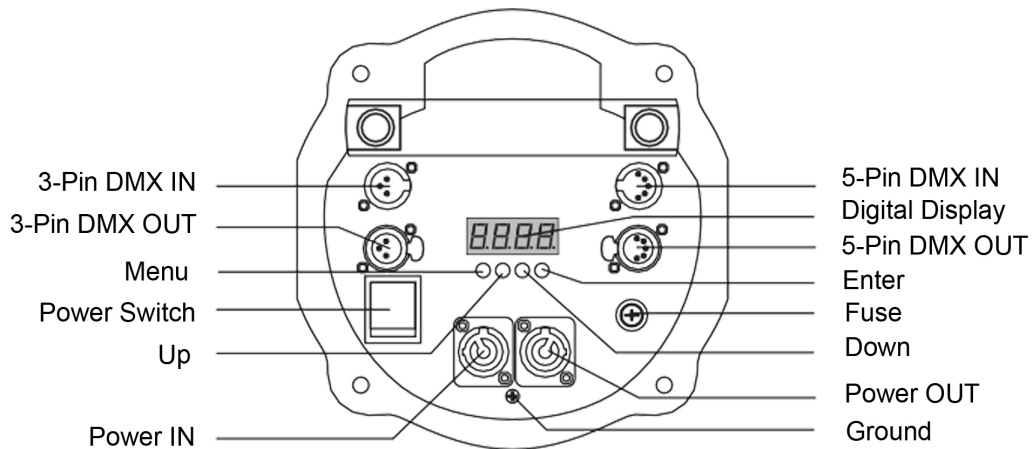
Specifications:

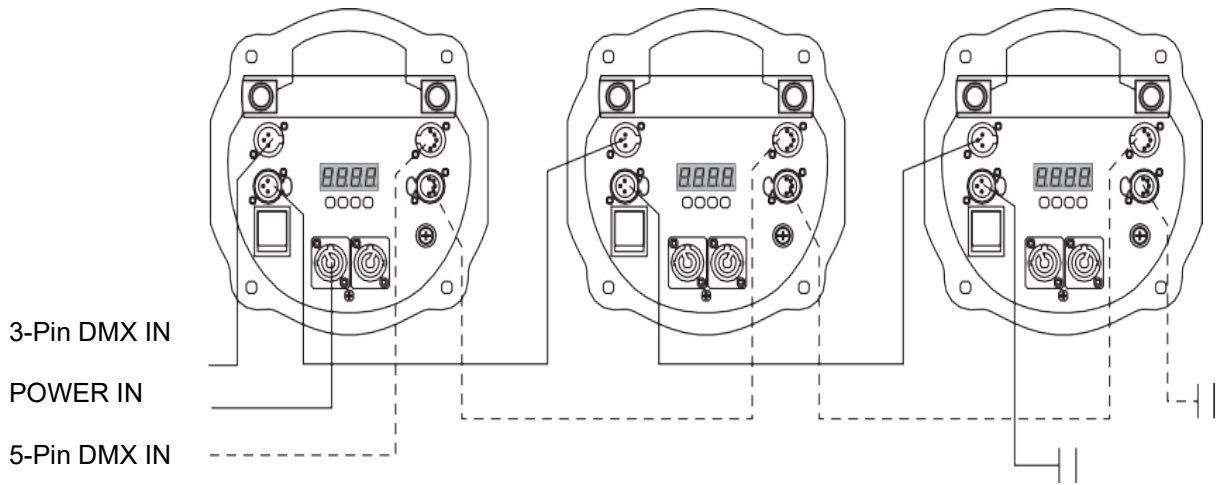
- Input Voltage:AC100-240V 50/60Hz
- Max. Power:300W
- Dimensions: 195(D)*720(W)*415(H)mm
- Packing Size: 332(D)*832(W)*345(H)mm
- Net Weight: 10.5kg
- Gross Weight: 13kg



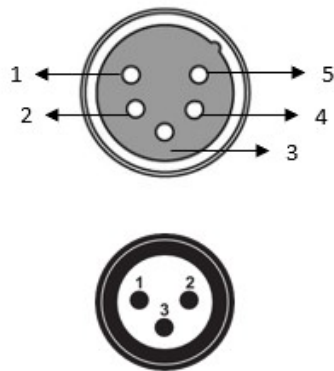
DMX-512 CONTROL CONNECTIONS

Connect the provided XLR cable to the female 3-pin XLR output of your controller and the other side to the male 3-pin XLR input of the moving head. You can chain multiple Moving head together through serial linking. The cable needed should be two core, screened cable with XLR input and output connectors. Please refer to the diagram below.
DMX-512 connection with DMX terminator

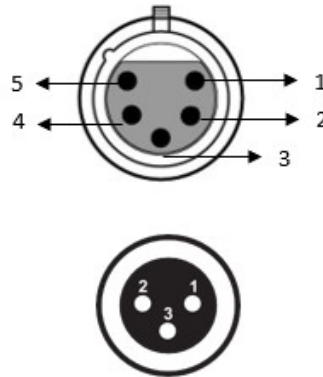




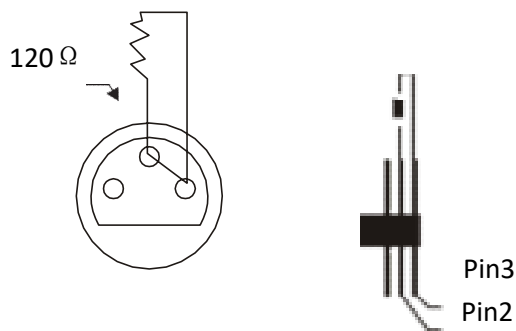
DMX Input
3/5-Pin XLR Socket



DMX Output
3/5-Pin XLR Socket



1	Ground	2	Data -	3	Data +
4	Open	5	Open		



For installations where the DMX cable has to run a long distance or is in an electrically noisy environment, such as in a discotheque, it is recommended to use a DMX terminator. This helps in preventing corruption of the digital control signal by electrical noise. The DMX terminator is simply an XLR plug with a 120 Ω resistor connected between pins 2 and 3, which is then plugged into the output XLR socket of the last fixture in the chain. Please see illustrations below.

Product Feature

- **2 kinds of running model**
 - External control mode (Slave model)
 - ◆ DMX 512 controller control (2 kinds channel modes)
 - ◆ Master/slave model control (auto match the signal from controller and the Master light, no need to set by menu)
 - static mode (Master model)
 - ◆ It can fix any color without the controller, also work this color with strobe
- **Non-linear dimmer and linear dimmer**
 - The speed of dimmer can be set under the controller control
- **Screen Protect**
 - It will enter blank screen without any operate on the keyboard in 30 seconds. Press any keys then it can quit screen protection.
- **Temperature Protection**
 - It can be set to temperature protection mode
- **Speed of the Fan**
 - The fan will start to work when the working temperature reach 40 degrees, and the speed will be changed according to the change of temperature.
- **Can be Reverse display**

Multi-light working in the same time

When using controller to control multi lights to work in strobe, the controller just send the channel data. The strobe effect will be depended on each light itself. And please take attention for the follow situation:

1. There will be many situations make the lights are not synchronization in the beginning. (For example: the different time of opening the light, or different time of them connect to the controller) .In this case, you can change value of the controller(for example push 20 to 0, and back to 20), then it can be synchronization.
2. Due to crystal frequency of different lights are not the same exactly, so it may not be synchronization after long time.
3. If need to keep synchronization for long time, there are two ways to do so:
 - A. Using the controller to edit program make the strobe, auto run effect, then they must be synchronization.
 - B. Using the Maser/Slave model

MENU OPERATIONS

A.001 (1~512)

d.001 (1~512)

SEAt → **r.255** (0~255)

→ **SE.00** (0~20)

EENP → **0**

→ **E.080** (40~120)

d,SP

r.ESt

Menu:

The first list is the main menu (press MENU to exchange), the second list is submenu (press ENTER to get in or exchange)

If the menu include the decimal point, that's the data, and it can be set by the Key of Up/Down.

Key operation:

Key of "MENU" (Press it and can save the data)

If it's the main menu, it will exchange to next main menu.

If it's the submenu, it will back to main menu.

Key of "ENTER" (Press it and can save the data)

If it's the main menu and it have submenu, it will enter the submenu.

If it's the submenu, it will exchange to the next submenu

Key of "UP/DOWN"

It's no function if the menu not include the decimal point.

If the menu include the decimal point, it can set the data after the decimal point. And it need to press "ENTER" to save the data.

Menu		State	Operation		Remark
Main Menu	Vice Menu				
A.001	No vice menu	A: advance	UP/DOWN	adjust ID	disconnect the controller and connect the master light, then it will follow the master light. It will flicker if no signal.
		External control mode (standard channel mode)	ENTER	save the ID address	
d.001	No vice menu	d: dmx	UP/DOWN	adjust ID	It will flicker if no signal.
		External control mode (Basic channel mode)	ENTER	Save the ID address	
SEAt	two vice menu	StAt: static	ENTER	enter vice menu	

		Static model			
	r.255	C: Color	UP/DOWN	change value of color	
		Set the color	ENTER	save the data change to the vice menu	
	St.00	St: strobe	UP/DOWN	change value of strobe	
		strobe and its speed	ENTER	save and exchange	
tEMP	two vice menu	tEMp: temperature	ENTER	enter the vice menu	
		temperature control			
	0	current temperature	ENTER	change to vice menu	
	t.080	t: top	UP/DOWN	change the data of temperature protect	
		set the protect temperature	ENTER	save and change	
d,SP	No vice menu	diSP: display	ENTER	reverse the display	
		set to show reverse display			
rEst	No vice menu	rEst: reset	ENTER	enter the interface of key	the password is "UP DONW UP DOWN"
		return Initial State			
		return Initial State			

DMX CHANNELS

3CH Mode (Standard channel mode)

channel	data	function	Mark
1	0~255	dimmer	
2	0~10	default delay of dimmer	
	11~15	no dimmer	

	16~255	Choose delay of dimmer	16 is the shortest delay time, increase gradually.... 255 is the longest delay time
3	0~10	no strobe	
	11~255	speed of strobe (255 is fastest)	

1 CH Mode (Basic channel mode)

channel	data	function
1	0~255	dimmer

INSTALLATIONS

Before mounting the fixture to any surface, make sure that the installation area can hold a minimum point load of 10 times the device's weight.

Fixture installation must always be secured with a secondary safety attachment, such as an appropriate safety cable.

Never stand directly below the device when mounting, removing, or servicing the fixture.

From a ceiling, or set on a flat. Be sure this fixture is kept at least 0.5m (1.5 ft) away from any flammable materials.

Please ensure that the led profile spotlight is hang using the appropriate "C" clamp or "O" Clamp. A safety chain or cable should also be used as a secondary point of holding the fixture in case the clamp comes loose. Never hang the fixture without a safety chain or cable.

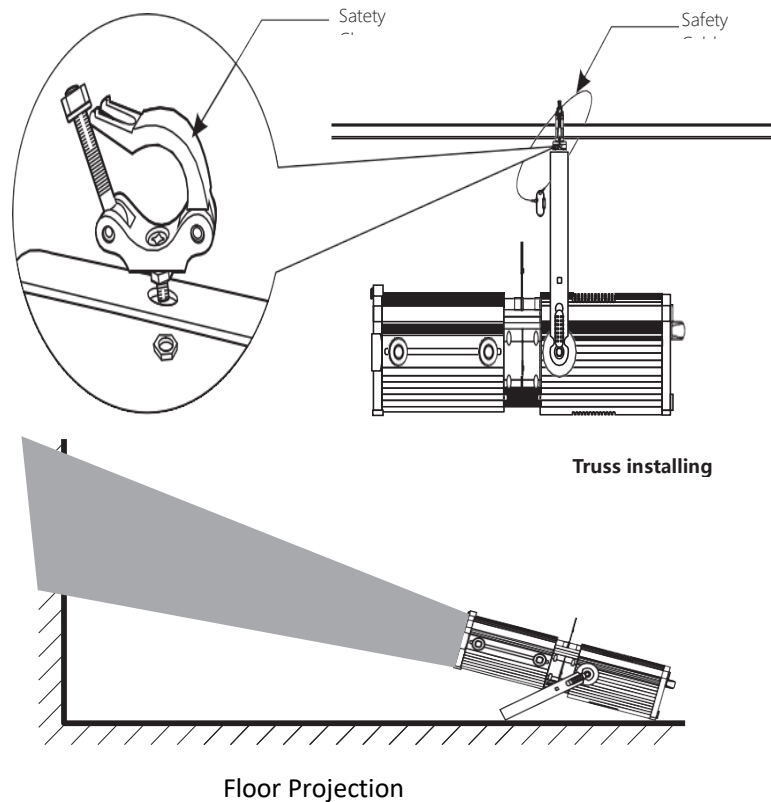
There is an eye-bolt on the back of the fixture to which the safety chain or cable can threaded through and then hung from the secondary point. Make sure the Gel frame (Gel holder) is clipped into position correctly and cannot come loose.

If you are not qualified or have any doubts about hanging the led profile spotlight then do NOT hang it.

Do not clamp the safety cable to the U bracket or clamp. That is not a secondary safety point.

A secondary safety point is any point that will adequately hold the led profile spotlight if the "C" clamp or "O" Clamp fails.

Then the safety cable would be the backup and stop the fixture from falling to the ground. So do NOT fix the safety cable to the same place that the "C" clamp is attached.



Note:

In a DmX Mode, Light fixture will operate with 1 Channel. For a Bi Color Fixture 2 Channels will be utilized.

CW – Stands for Cool White 5600K, WW – Stands for Warm White 3200K.

Do NOT open the fixture for any kind of repair. There are parts which can be operated by authorized personnel only.

For Further assistance, you are requested to contact our office or authorized dealers.
We are there at your service.

Thank You for Choosing Leksa Lighting:

Leksa Lighting Technologies Pvt. Ltd.
Ashwathapura Road, Moodbidri,
Mangalore – 574227, India
www.leksalighting.com
biz@leksalighting.com
+91-7899 543210