

# **USER GUIDE FOR 280W LED BEAM MOVING HEAD-12R**



## **Applicable Models:**

280W LED BEAM MOVING HEAD-12R

Leksa Lighting® all rights reserved, Information, Specifications, Images and Instructions given in the document herein subject to change without further notice. Leksa Lighting Logo, Data and Indicated product names, Model no's herein the trademarks of Leksa Lighting.

You may connect to below contact for your queries:

- 📍 Leksa Lighting Technologies Pvt. Ltd  
Ashwathpura Road, Mangalore – 574227, India
- ✉ [biz@leksalighting.com](mailto:biz@leksalighting.com)
- 🌐 [www.leksalighting.com](http://www.leksalighting.com)
- 📞 +91-7899 – 543210

For Quality and Service support reach us @ [quality@leksalighting.com](mailto:quality@leksalighting.com)

**Important Notice:**

There are no user serviceable parts inside the fixture. Do not attempt any repairs yourself; doing so will cease the manufacturing warranty and such acts will void the manufacturer warranty claims.

- Warranty claims to be reported to the above referred email ID's with the product Sl. Nos.
- Warranty will not be extended on the glass and breakable items like lenses etc.
- Product warranty does not cover the physical damages, breakages etc.
- Product warranty ceases if the product is not used as per manufacturer instructions.
- Product warranty is limited to the functional aspects of the fixture.
- Repair or Replacement is depending on the variance of complaint subject to manufacturer decision.

---

**Instructions:**

This Product is IP20 rated. For proper operation, follow the **Installation guidelines described in this manual. Only qualified and certified personnel** should perform the installation and only the original rigging parts (brackets, holders, clamps, safety cables) included with this fixture should be used for installation. Any modifications will void the original manufactures warranty and increase the risk of damage and/or personal injury.

- Never look directly into the light source to prevent risk of injury to your retina, which may induce blindness. Those suffering from EPILEPSY should avoid looking directly into the light source of this unit at all times.
- The fan and air inlets must remain clean and never blocked. Allow approx. 6" (15cm) between this fixture and other devices or a wall for proper cooling.
- Always disconnect from main power source before performing any type of service and/or cleaning procedure. Only handle the power cord by the plug end, never pull by tugging the wire portion of the cord.
- Do NOT operate fixture if the power cord has become frayed, crimped and/or damaged. If the power cord is damaged, replace it immediately with a new one of similar power rating.
- Do NOT operate fixture near any flammable materials.
- Do NOT operate fixture in dusty environments.
- Fixture is IP20 rated and should be operated at the dry spaces. Fixture may get damaged to moistures and wet environments.
- This fixture has an inbuilt signal dimming system. Do NOT connect this fixture for external dimmer packs.
- 
- We urge you to ensure proper mechanical fitments of clamps and a usage of safety chains while suspending from the top

## **Product Introduction**

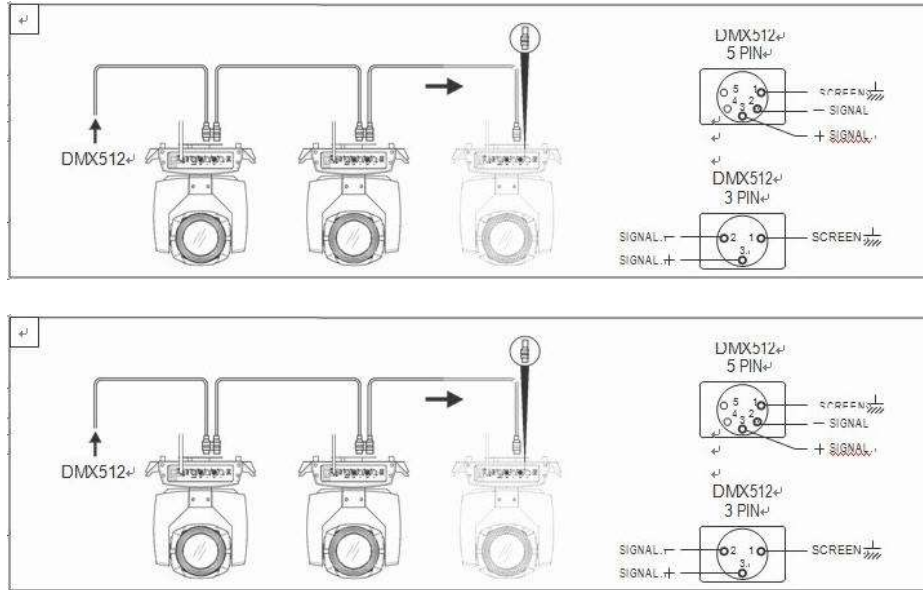
- Power: AC100-240V 50/60HZ
- Total Power: 450W
- Light Source: 280W Philips Lamp
- Channel: 16CH
- Color Temperature: 8500K
- 5 Meter LUX: 880000
- Control: DMX512
- Color System: 1 color wheel + 14 pcs color/white with soft light color + half color, rainbow effect.
- Gobos System: 16 + 1 pcs gobos.
- Strobe : Double-lea fast strobe, Multiple modes and speeds of strobe effect.
- Display Query lamp information through LCD screen
- Prism : 8prism + 48prism with rotation effect (double prism combined effects have the functions of forward and reverse independent rotation effects )
- Electronic dimming
- Smart heat dissipation: the use of wind direction drainage and temperature intelligent monitoring technology, according to the temperature of different positions of the lamp, automatically drive the cooling fan in different parts of the lamp, effective cooling of the lamp parts
- Appearance: high temperature resistant plastic + high strength alloy cold pressed core material.

## **Connecting Signal Cables**

Light feature standard DMX input and output 3-core or 5-core XLR sockets. Use a shielded twisted-pair signal cable for DMX 512; Signal line connection distance is generally 150 meters, long distance signal transmission, must be added to the DMX512 signal amplifier.

Use a shielded twisted-pair signal cable to connect from the DMX outlet of the controller to the DMX input port of the first device, and from the DMX outlet of the first device to the DMX input port of the second device, and so on, until all lights are connected. Then install a terminal plug on the last 3-core lamp output jack in each circuit. (Weld a 4/1W, 120 $\omega$  resistor between the 2 and 3 pins of the 3-core pin card plug).

Important: The wires should not touch each other or the metal housing



DMX signal line connection diagram

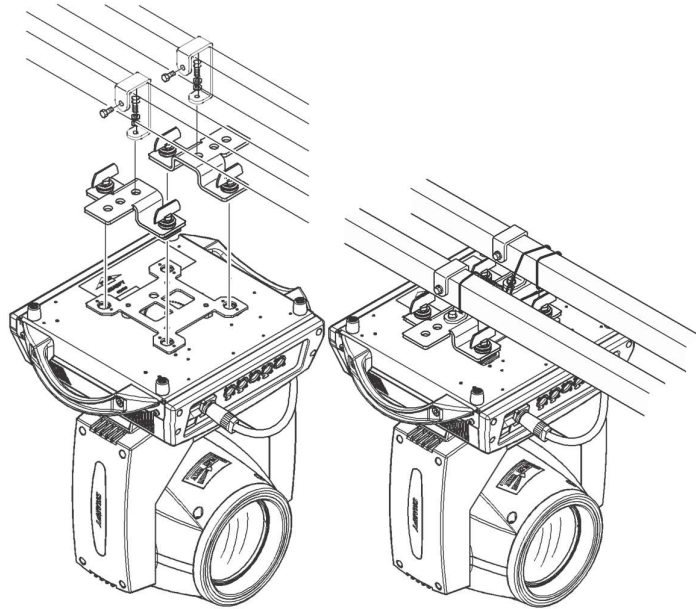
### Installation of light

Lights and lanterns can be placed horizontally, beveled and hung upside down. Pay attention to the installation method when slant and upside down.

Such as error! No reference source found. As shown, before positioning the lamp, ensure the stability of the installation site. When installing the inverted hanging, it is necessary to ensure that the lamp does not fall off the support frame. It is necessary to use the safety rope to pass through the support frame and the lamp handle for auxiliary hanging, so as to ensure safety. Prevent lamp from falling and sliding.

During the installation and debugging of the lamp, pedestrians are not allowed to pass under it. Check whether the safety rope is worn and whether the hook screw is loose regularly.

If the lamp falls due to the unstable installation of the hanging, our company will not bear any responsibility for all the consequences.



<b>BEAM300W MENU TABLE</b>			
<b>Main Menu</b>	<b>Second</b>	<b>Third</b>	<b>Fourth</b>
<b>Dmx Address</b>	000 - 512		
<b>Fixture</b>	Dmx Mode	16CH	
	Run Mode	DMX / Host	
	Pan Invert	Close / Open	
	Tilt Invert	Close / Open	
	XY Sensor	Close / Open	
	Low Power Mode	Close / Open	
	No DMX State	Close / Open	
	Lamp On Power	Close / Open	
	Lamp Control	Close / Open	
<b>Manual</b>	Color	000 - 255	
	Strobe	000 - 255	
	Dimmer	000 - 255	

	Gobo	000 - 255	
	⋮	⋮	
<b>Information</b>	Time	Current Time	xxxxxH
		Total Time	xxxxxH
		Lamp Time	xxxxxH
		Power Count	xxxxx
		Lamp Count	xxxxx
	Sensor	Pan	
		Tilt	
		Temp	
		⋮	
	Software Version	Panel	Vx.xx
Motor		Vx.xx	
<b>Factory</b>	Password	000 - 255	
	Pan	000 - 255	
	Tilt	000 - 255	
	Strobe	000 - 255	
	Color	000 - 255	
	Fix Gobo	000 - 255	
	⋮	⋮	
<b>Reset</b>	XY Reset	Cance / Run	
	Motor Reset	Cance / Run	
	All Reset	Cance / Run	
	Factory	Cance / Run	
<b>Display</b>	Language	CH / EN	
	Display Flip	OFF / ON	
	Display Mode	30s / Show	

## **Set the DMX code**

Address code cannot be greater than (512- number of channels), otherwise the lamp will not be controlled. Specific setting operations are as follows:

Enter the DMX setting interface, press the "Up" or "down" button to accurately set the desired DMX address code,

Then press OK to save the data and complete the address code setting

## **Light setting**

Set the operation mode of the light, control the lamp and channel mode. The lamp supports operation mode (DMX mode, self-walking mode) and other functions. The specific parameters are described as follows :

- Channel mode: The Light supports two channel modes. The "lite" channel eliminates several channels to set the motor speed, and saves the utilization of DMX channel. The "expanded" channel adds several channels as described previously compared with "Lite".
- DMX mode: In this mode, the light receives data from the console and operates according to the console data (common mode);
- Main control mode: In this mode, the lamp does not receive data from the console, and runs by itself with internal fixed program; "Master Selection" only takes effect when the lamp is operating in "walking mode". When this option is turned off, the internal program data of the lamp operation will not be sent to other lamps through DMX data line. When it is turned on, the data will be sent to other lamps in real time, and other lamps of the same type (slave machine) will follow the lamp (host machine) to run synchronously
- Horizontal reversal: After the horizontal reversal is turned on, the initial position of the horizontal motor will be switched to the final position after the lamp initialization is completed. Vertical reversal: After the vertical reversal is opened and the lamp initialization is completed, the initial position of the vertical motor and the final position are switched.
- Optocoupler correction: Through this setting, you can control the opening and closing of optocoupler error correction function. After optocoupler correction is closed, the horizontal motor and vertical motor have no error correction function.
- No DMX state: no DMX state to choose to clear, refers to the lamp in no DMX signal when all functions return to the initialization state, no DMX state to choose to keep the lamp, refers to the lamp in no DMX signal to stay in the last DMX signal instruction state
- Boot light bulb: When the boot light bulb is turned on, the lamp will be automatically lit after initialization.



- Lamp control: Through this setting, you can control the light gun on and off. After the completion of the lamp initialization, light or close the lamp, this function is only effective in the current power-on state, the next power-on state when the function is turned off by default

### **Handle Control**

The light enters the test mode. In this mode, the lamp does not receive DMX console data. The parameters on the page correspond to the values of the DMX channel. You can change the data of the corresponding parameter item to control the operation of the luminaire:

- Color wheel                    value (0~255);
- Strobe                            value (0~255);
- Dimmer                          value (0~255);
- Gobo                             value (0~255);
- Prism1                          value (0~255);
- Prism2                          value (0~255);
- Prism3                          value (0~255);

### **Inspect the light status**

Enter this interface, you can view, the current lamp service time, sensing information, software version and other information;

### **Factory Settings**

Enter this interface, enter the password, you can set the lamp motor offset ;

### **Light Reset**

Entering this interface, you can set the initial reset of the lamp motor function, and restore the factory Settings of the lamp.

### **Display Settings**

- Enter this interface, you can set the lamp display language, screen display rotation, screen time;
- The light support both Chinese and English, select Chinese or English display, immediately effective after selection.
- Screen Ration: Select whether to rotate the Screen to 180 degrees. When the lamp is hung upside down, this option can be enabled to make the display more intuitive and clearer.
- Display mode: When the lamp is not set for a period of time (30 seconds), the screen saver state is sleeping mode (black screen); When it is set to "Steady on", the home screen is always displayed without entering the sleep mode.

<b>300W Beam Light Channel</b>			
Standard Mode (16 channels)	Extended mode (20 channels)	DMX Value	Function
1	1		Color wheel
		0-4	White
		5-9	White+Color1
		10-14	Color1
		15-19	Color1+Color2
		20-24	Color2
		25-29	Color3+Color3
		30-34	Color3
		35-39	Color3+Color4
		40-44	Color4
		45-49	Color4+Color5
		50-54	Color5
		55-59	Color5+Color6
		60-64	Color6
		65-69	Color6+Color7
		70-74	Color7
		75-79	Color7+Color8
		80-84	Color8
		85-89	Color8+Color9
		90-94	Color9
95-99	Color9+Color10		
100-104	Color10		
105-109	Color10+Color11		
110-114	Color11		
115-119	Color11+Color12		
120-124	Color12		
125-129	Color12+Color13		
130-134	Color13		
135-139	Color13+Color14		
140-144	Color14		

		140-149	Color14+White
		150-199	FAST ROTATION - SLOW ROTATION
		200-205	STOP
		206-255	SLOW ROTATION - FAST ROTATION
2	2		Shutter
		0-3	Closed
		4-103	SLOW - FAST
		104-107	Open
		108-207	FAST STROBE-SLOW STROBE
		208-212	Open
		213-251	RANDOM SLOW - FAST
		252-255	Open
3	3		Dimmer
		0-255	Linear Dimmer
4	4		Gobo 1
		0-4	white
		5-9	Gobo 1
		10-14	Gobo 2
		15-19	Gobo 3
		20-24	Gobo 4
		25-29	Gobo 5
		30-34	Gobo 6
		35-39	Gobo 7
		40-44	Gobo 8
		45-49	Gobo 9
		50-54	Gobo 10
		55-59	Gobo 11
		60-64	Gobo 12
		65-69	Gobo 13
		70-74	Gobo 14
		75-79	Gobo 15
		80-84	Gobo 16
85-92	Gobo 1 Jitter		

		93-100	Gobo 2 Jitter
		101-108	Gobo 3 Jitter
		109-116	Gobo 4 Jitter
		117-124	Gobo 5 Jitter
		125-132	Gobo 6 Jitter
		133-140	Gobo 7 Jitter
		141-148	Gobo 8 Jitter
		149-156	Gobo 9 Jitter
		157-164	Gobo 10 Jitter
		165-172	Gobo 11 Jitter
		173-180	Gobo 12 Jitter
		181-188	Gobo 13 Jitter
		189-196	Gobo 14 Jitter
		197-204	Gobo 15 Jitter
		205-212	Gobo 16 Jitter
		213-234	FAST ROTATION - SLOW ROTATION
		235-255	SLOW ROTATION - FAST ROTATION
5	5		Prism1
		0-127	Reserve
		128-255	prism1 Insert
6	6		Prism2
		0-127	Reserve
		128-255	prism2 Insert
7	7		Prism3/Fog
		0-127	Reserve
		128-255	Prism3/Fog Insert
8	8		Prism Rot
		0-127	Rotation
		128-190	FAST ROTATION - SLOW ROTATION
		191-192	STOP
		193-255	SLOW ROTATION - FAST ROTATION
9	9		7Colors
		0-127	white

		128-255	7Colors
10	10		Foucs
		0-255	Foucs, Linear
11	11	0—255	Pan 8bit
12	12	0—255	Pan 16bit
13	13	0—255	Tilt 8bit
14	14	0—255	Tilt 16bit
15	15	0—255	P/T Speed
16	16		Function
		130-139	Lamp ON
		200-209	XY Reset
		210-219	Effect Reset
		220-229	Reset
		230-239	Lamp OFF
*	17	0—255	Reserve
*	18		Color speed
		0-255	Fast to Slow
*	19		Gobo speed
		0-255	Fast to Slow
*	20		Focus speed
		0-255	Fast to Slow

### Rectify common faults

The light contains professional components such as microcomputer circuit board and high-voltage power supply. For your safety and product life, non-professionals should not disassemble the light and related accessories without authorization.

#### Lamp doesn't work

- Possible causes: The lamp is not completely cooled, or the lamp has reached its life span. The treatment is as follows:
- Due to abnormal operation, the lamp is not completely cooled, should let the lamp body cool for more than 10 minutes, so that its internal completely restored to normal state, and then start the power supply again.
- Check whether the lamp has reached its service life and replace it with a new one.
- Check for leakage, disconnection, or poor contact between bulb and lamplighter wiring.
- Change new ballast.

### **Dim beam**

- Possible cause: The lamp has been used for a long time or the optical path is dirty. Handle the problem as follows :
- Check whether the lamp has reached its service life and replace it with a new one ;
- Check whether the optical components or bulbs are clean, and whether there is dust accumulated on the optical devices such as bulbs. It is necessary to clean and maintain the bulbs and components in the lamps regularly.

### **Gobos blur**

- Check that the electronic focus channel value is appropriate for the current projection distance.
- The light works intermittently
- Possible cause: The internal line enters the locked state. Handle the fault as follows :
- Check whether the fan is running normally or dirty, causing the internal temperature of the lamp to rise ;
- Check whether the internal temperature control switch is turned on ;
- Check that the lamp has reached its useful life and replace it with a new lamp.
- The light will not be controlled by the console after normal reset
- Possible cause: The signal cable is faulty or the parameter setting of the lamp is abnormal :
- Check initial code and connection of DMX signal cable (whether signal cable is intact and cable is loose) ;
- Add signal amplifier, add 120 ohm terminal resistance ;
- Light fixture does not work
- Possible cause: The power cable is faulty. Handle the fault as follows :
- Check whether the safety on the power input socket is fused, and replace the safety ;
- light in long-distance transportation due to vibration caused by poor line contact
- Check the input power supply, computer board and other plug devices.

For Further assistance, you are requested to contact our office or authorized dealers.  
We are there at your service.

Thank You for Choosing Leksa Lighting:

Leksa Lighting Technologies Pvt. Ltd.  
Ashwathapura Road, Moodbidri,  
Mangalore – 574227, India  
[www.leksalighting.com](http://www.leksalighting.com)  
[biz@leksalighting.com](mailto:biz@leksalighting.com)  
+91-7899 54321