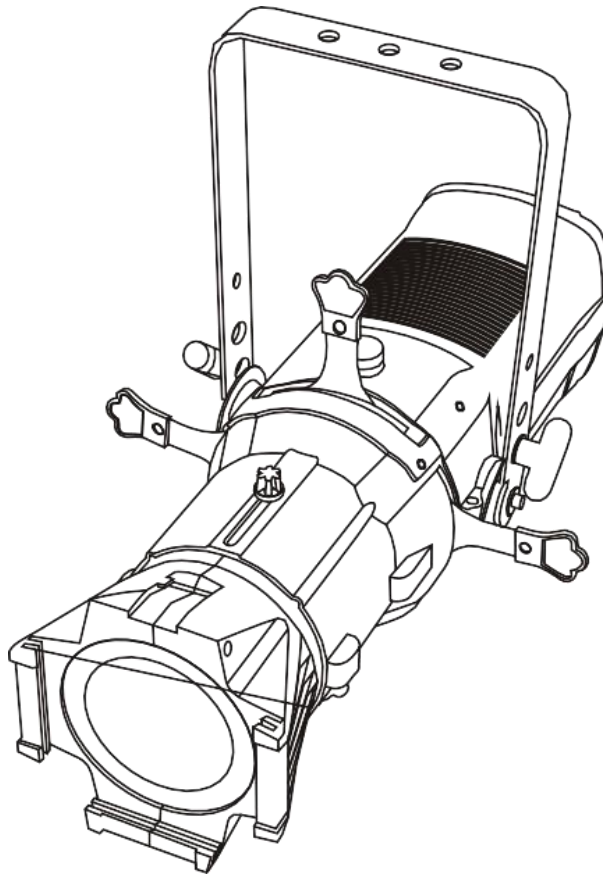


USER GUIDE FOR 200W LED PROFILE SPOT WW/CW



Applicable Models:

200W LED PROFILE SPOT WW/CW-5°/14°/19°/26°/36°/50°

Leksa Lighting® all rights reserved, Information, Specifications, Images and Instructions given in the document herein subject to change without further notice. Leksa Lighting Logo, Data and Indicated product names, Model no's herein the trademarks of Leksa Lighting.

You may connect to below contact for your queries:

- 📍 Leksa Lighting Technologies Pvt. Ltd
Ashwathpura Road, Mangalore – 574227, India
- ✉ biz@leksalighting.com
- 🌐 www.leksalighting.com
- 📞 +91-7899 – 543210

For Quality and Service support reach us @ quality@leksalighting.com

Important Notice:

There are no user serviceable parts inside the fixture. Do not attempt any repairs yourself; doing so will cease the manufacturing warranty and such acts will void the manufacturer warranty claims.

- Warranty claims to be reported to the above referred email ID's with the product Sl. Nos.
- Warranty will not be extended on the glass and breakable items like lenses etc.
- Product warranty does not cover the physical damages, breakages etc.
- Product warranty ceases if the product is not used as per manufacturer instructions.
- Product warranty is limited to the functional aspects of the fixture.
- Repair or Replacement is depending on the variance of complaint subject to manufacturer decision.

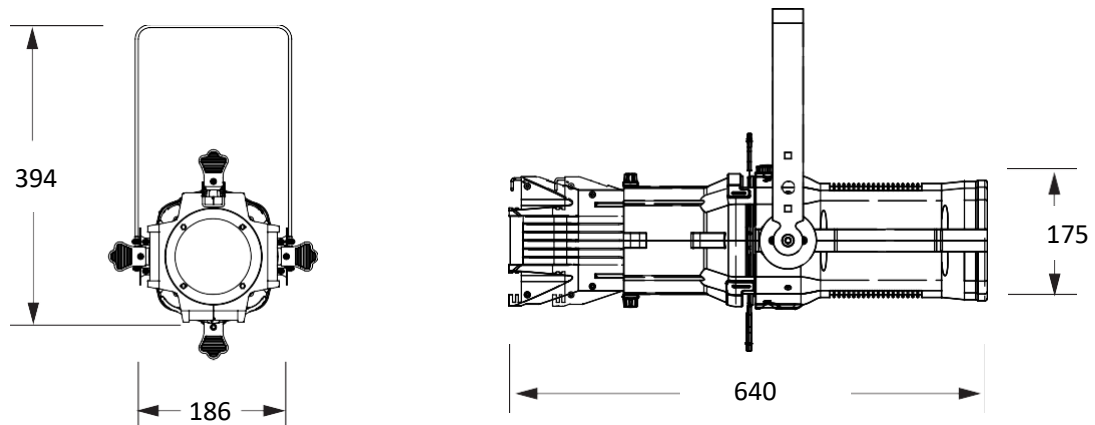
Instructions:

This Product is IP20 rated. For proper operation, follow the **Installation guidelines described in this manual. Only qualified and** certified personnel should perform the installation and only the original rigging parts (brackets, holders, clamps, safety cables) included with this fixture should be used for installation. Any modifications will void the original manufactures warranty and increase the risk of damage and/or personal injury.

- Never look directly into the light source to prevent risk of injury to your retina, which may induce blindness. Those suffering from EPILEPSY should avoid looking directly into the light source of this unit at all times.
- The fan and air inlets must remain clean and never blocked. Allow approx. 6" (15cm) between this fixture and other devices or a wall for proper cooling.
- Always disconnect from main power source before performing any type of service and/or cleaning procedure. Only handle the power cord by the plug end, never pull by tugging the wire portion of the cord.
- Do NOT operate fixture if the power cord has become frayed, crimped and/or damaged. If the power cord is damaged, replace it immediately with a new one of similar power rating.
- Do NOT operate fixture near any flammable materials.
- Do NOT operate fixture in dusty environments.
- Fixture is IP20 rated and should be operated at the dry spaces. Fixture may get damaged to moistures and wet environments.
- This fixture has an inbuilt signal dimming system. Do NOT connect this fixture for external dimmer packs.
- We urge you to ensure proper mechanical fitments of clamps and a usage of safety chains while suspending from the top.

FEATURES & SPECIFICATIONS

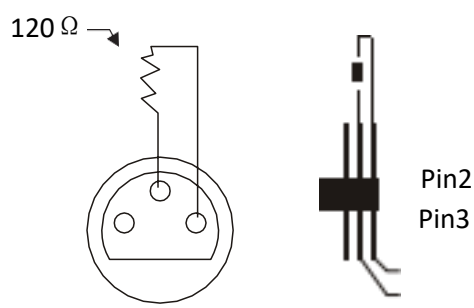
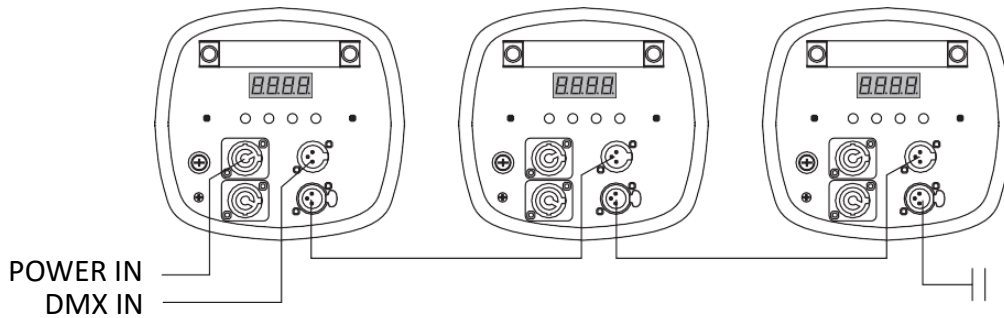
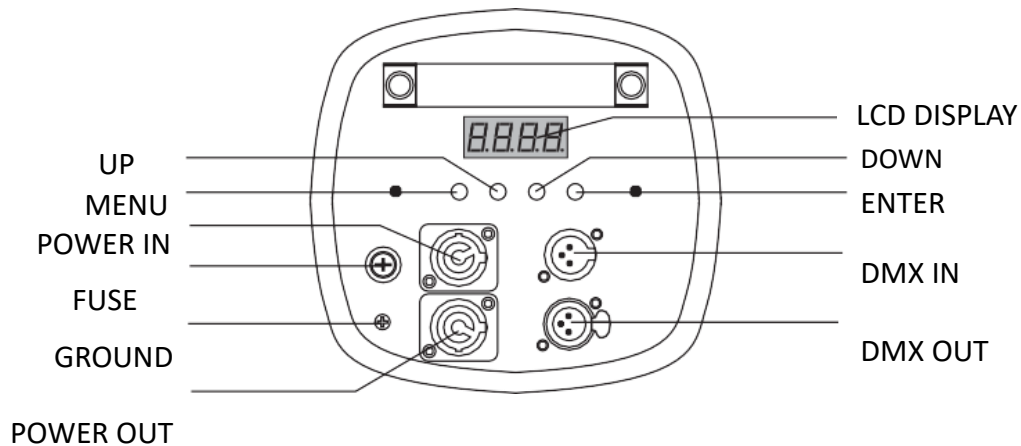
- 1*200W COB LED (available for CW/WW)
- 50,000 hours life span and low power consumption
- Color Rendering Index (CRI): Ra≥90
- High quality optical system and field uniformity
- High contrast aspheric lens
- Lens tube angles available for 5°/14°/19°/26°/36°/50°
- Housing made by high intensity fireproof black ABS
- 4 Metal spot cutting slots
- 0-100% linear dimmer
- Strobe effect with variable speed
- 1/3 DMX channels USITT DMX-512
- DMX512, master-slave, Slave mode, static mode
- 4-Button LCD display
- POWRECON connector IN/OUT
- 3-Pin XLR connectors IN/OUT (5-Pin option)
- Low noise fan integrated with copper liquid cooling system
- -10~40°C Max ambient temperature
- IP20 protection rating
- Max. Power: 200W
- Dimensions: 640(D)*186(W)*394(H)mm
- Packing Size: 300(D)*730(W)*310(H)mm
- Net Weight: 7.5kg
- Gross Weight: 9.5kg



DMX-512 CONTROL CONNECTIONS

Connect the provided XLR cable to the female 3/5-pin XLR output of your controller and the other side to the male 3/5-pin XLR input of the moving head. You can chain multiple Moving head together through serial linking. The cable needed should be two core, screened cable with XLR input and output connectors. Please refer to the diagram below.

DMX-512 connection with DMX terminator

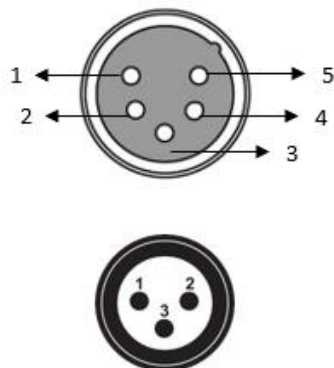


Note

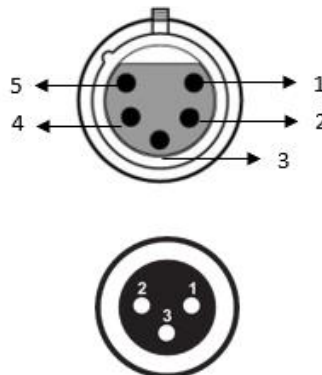
- DMX 512 Signal looping can be done from one fixture to other.
- Maximum 25 to 30 Fixtures can be taken in a single loop provided the distance is within short range.
- No Y Split is allowed for DMX looping.

DMX last open end to be terminated with a 120 Ohm Resistor termination plug

DMX Input
3/5-Pin XLR Socket



DMX Output
3/5-Pin XLR Socket



1	Ground	2	Data -	3	Data +
4	Open	5	Open		

MENU OPERATIONS

MENU	SUB MENU	DISPLAY	KEY OPERATION
Standard channel mode (3 channel)		DMX(3CH) Addr:001	Press UP/DOWN to change the DMX address
Basic channel mode (1 channel)		DMX(1CH) Addr:001	Press UP/DOWN to change the DMX address
Static mode	Dimmer	Static > Dimm:000	Press "UP/DOWN" to dimmer Press "ENTER" change to sub menu
	Strobe	Static > Strob:00	Press UP/DOWN to change the speed of strobe Press "ENTER" change to sub menu
Temperature control	The current temperature	Temp > Curr:0	Press "ENTER" change to sub menu
	Setting protection of temperature	Temp > Top:080	Press UP/DOWN to change the temperature Press "ENTER" change to sub menu
Revert to default settings		Reset	Press "ENTER" , and press password as below
		Reset Pwd:	Press UP/DOWN to input password, each time you press the password, it will show "*"

		Reset Pwd:****	Press "ENTER" to confirm password, it will revert to default setting once the password is correct, otherwise it will delete all the "**"
--	--	-------------------	--

DMX CHANNELS

3 CH Mode

Channel	Function	Value	Description
1	Dimmer	0-255	Dimmer
2	Delay time	0-10	Default delay of dimmer
		11-15	No dimmer
		16-255	Choose delay of dimmer (16 is the shortest delay time, increase gradually... 255 is the longest delay time)
3	Strobe	0-10	No strobe
		11-255	Speed of strobe (255 is fastest)

1 CH Mode

Channel	Function	Value	Description
1	Dimmer	0-255	Dimmer

INSTALLATIONS

Before mounting the fixture to any surface, make sure that the installation area can hold a minimum point load of 10 times the device's weight.

Fixture installation must always be secured with a secondary safety attachment, such as an appropriate safety cable.

Never stand directly below the device when mounting, removing, or servicing the fixture.

From a ceiling, or set on a flat. Be sure this fixture is kept at least 0.5m (1.5 ft) away from any flammable materials.

Please ensure that the led profile spotlight is hang using the appropriate "C" clamp or "O" Clamp. A safety chain or cable should also be used as a secondary point of holding the fixture in case the clamp comes loose. Never hang the fixture without a safety chain or cable.

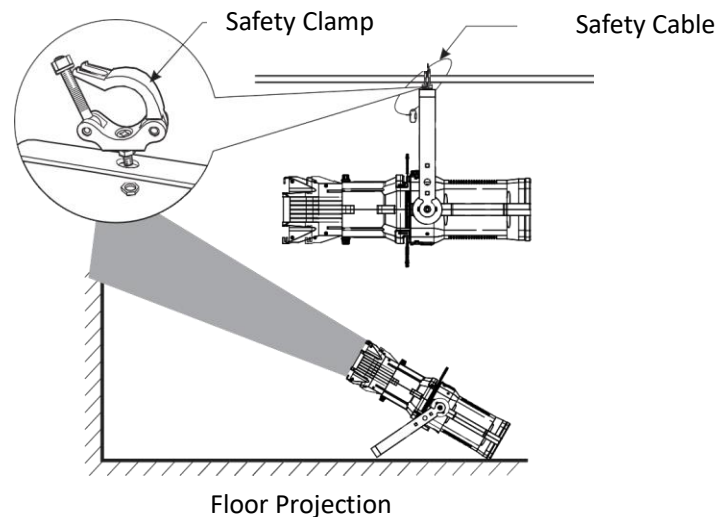
There is an eye-bolt on the back of the fixture to which the safety chain or cable can be threaded through and then hung from the secondary point. Make sure the Gel frame (Gel holder) is clipped into position correctly and cannot come loose.

If you are not qualified or have any doubts about hanging the led profile spotlight then do NOT hang it.

Do not clamp the safety cable to the U bracket or clamp. That is not a secondary safety point.

A secondary safety point is any point that will adequately hold the led profile spotlight if the "C" clamp or "O" Clamp fails.

Then the safety cable would be the backup and stop the fixture from falling to the ground. So do NOT fix the safety cable to the same place that the "C" clamp is attached.

**Note:**

In a DmX Mode, Light fixture will operate with 1 Channel. For a Bi Color Fixture 2 Channels will be utilized.

CW – Stands for Cool White 5600K, WW – Stands for Warm White 3200K.

Do NOT open the fixture for any kind of repair. There are parts which can be operated by authorized personnel only.

For Further assistance, you are requested to contact our office or authorized dealers.
We are there at your service.

Thank You for Choosing Leksa Lighting:

Leksa Lighting Technologies Pvt. Ltd.
Ashwathapura Road, Moodbidri,
Mangalore – 574227, India
www.leksalighting.com
biz@leksalighting.com
+91-7899 543210