

USER GUIDE FOR GLAMOUR PANEL LIGHT 300W



Applicable Models:

GLAMOUR PANEL LIGHT 300W, AC 230V

Leksa Lighting® all rights reserved, Information, Specifications, Images and Instructions given in the document herein subject to change without further notice. Leksa Lighting Logo, Data and Indicated product names, Model no's herein the trademarks of Leksa Lighting.

You may connect to below contact for your queries:



Leksa Lighting Technologies Pvt. Ltd



Ashwathpura Road, Mangalore – 574227, India



biz@leksalighting.com

www.leksalighting.com

+91-7899 – 543210

For Light Service support reach us @ quality@leksalighting.com & service@leksalighting.com

Important Notice:

There are no user serviceable parts inside the fixture. Do not attempt any repairs yourself, doing so will cease the manufacturing warranty and such acts will void the manufacturer warranty claims.

Warranty claims to be reported to the above referred email ID's with the product Sl. Nos.

- Warranty will not be extended on the glass and breakable items like lenses etc.
- Product warranty does not cover the physical damages, breakages etc.
- Product warranty ceases if the product is not used as per manufacturer instructions.

- Product warranty is limited to the functional aspects of the fixture.
- Repair or Replacement is depending on the variance of complaint subject to manufacturer decision.

Instructions:

This Product is IP20 rated. For proper operation, follow the **Installation guidelines described in this manual. Only qualified and** certified personnel should perform the installation and only the original rigging parts (brackets, holders, clamps, safety cables) included with this fixture should be used for installation. Any modifications will void the original manufactures warranty and increase the risk of damage and/or personal injury.

- Never look directly into the light source to prevent risk of injury to your retina, which may induce blindness. Those suffering from EPILEPSY should avoid looking directly into the light source of this unit at all times.
- The fan and air inlets must remain clean and never blocked. Allow approx. 6" (15cm) between this fixture and other devices or a wall for proper cooling.
- Always disconnect from main power source before performing any type of service and/or cleaning procedure. Only handle the power cord by the plug end, never pull by tugging the wire portion of the cord.
- Do NOT operate fixture if the power cord has become frayed, crimped and/or damaged.
If the power cord is damaged, replace it immediately with a new one of similar power rating.
- Do NOT operate fixture near any flammable materials.

-
- Do NOT operate fixture in dusty environments.
 - Fixture is IP20 rated and should be operated at the dry spaces. Fixture may get damaged to moistures and wet environments.
 - This fixture has an inbuilt signal dimming system. Do NOT connect this fixture for external Dier packs.
 - We urge you to ensure proper mechanical fitments of clamps and a usage of safety Chain while suspending from the top

FUNCTIONS :

Input voltage 100-240V 50-60HZ

- ◆ Power rating: 320W
- ◆ DMX control or manual button control
- ◆ With RDM function
- ◆ 16 bit above no flicker linear dimming
- ◆ Color temp.:2700-10000K adjustable
- ◆ With DUV plus-minus adjustable
- ◆ Inner size: 57×15×39cm(with barndoor)
57×11.5×39cm(without barndoor)
- ◆ Net weight: 11.1kg (light 9.5kg, barndoor 1.6kg)

DMX CHANNEL FUNCTIONS :

It have 9 channels model and 3 channels model option

3 channels model :

- CH 1: Dimming
- CH 2: CCT adjust
- CH 3: DUV plus-minus adjust

9 Channels model :

- CH 1: general control (general dimming)
- CH 2: CCT adjust
- CH 3: DUV plus-minus adjust (channel 0-5 DUV not adjustable , Channel 6-255 DUV plus-minus adjustable biggest, 110-150 adjustable DUV value up to zero)
- CH 4: changing function channel(128-255 start changing,then channel 2 and 3 no work)
- CH 5: single red dimming
- CH 6: single green dimming
- CH 7: single blue dimming
- CH 8: single warm white dimming
- CH 9: 360°color adjust (channel value 0-4 not work, 5-255 360°color adjust , when these channels work then channel 2、3、5、6、7 and 8 not work)

• Master/slave connect introduce •

Set all units address same as "001" , off DMX signal , can set any unit as master, set functions on the master unit by the Function key, so all units can be synchroized operation .

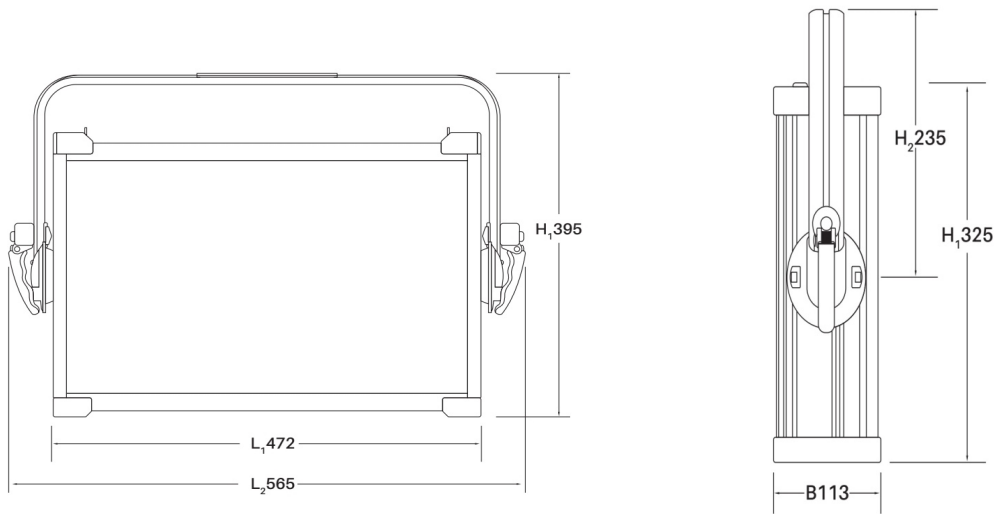
CCT channel value

Channel	CCT
0-2	2700K
3-5	2800K
6-8	2900K

Channel	CCT
111-113	6400K
114-116	6500K
117-119	6600K

9-11	3000K	120-122	6700K
12-14	3100K	123-125	6800K
15-17	3200K	126-128	6900K
18-20	3300K	129-131	7000K
21-23	3400K	132-134	7100K
24-26	3500K	135-137	7200K
27-29	3600K	138-140	7300K
30-32	3700K	141-143	7400K
33-35	3800K	144-146	7500K
36-38	3900K	147-149	7600K
39-41	4000K	150-152	7700K
42-44	4100K	153-155	7800K
45-47	4200K	156-158	7900K
48-50	4300K	159-161	8000K
51-53	4400K	162-164	8100K
54-56	4500K	165-167	8200K
57-59	4600K	168-170	8300K
60-62	4700K	171-173	8400K
63-65	4800K	174-176	8500K
66-68	4900K	177-179	8600K
69-71	5000K	180-182	8700K
72-74	5100K	183-185	8800K
75-77	5200K	186-188	8900K
78-80	5300K	189-191	9000K
81-83	5400K	192-194	9100K
84-86	5500K	195-197	9200K
87-89	5600K	198-200	9300K
90-92	5700K	201-203	9400K
93-95	5800K	204-206	9500K
96-98	5900K	207-209	9600K
99-101	6000K	210-212	9700K
102-104	6100K	213-215	9800K
105-107	6200K	216-218	9900K
108-110	6300K	219-255	10000K

FIXTURE DIMENSIONS :



For Further assistance, you are requested to contact our office or authorized dealers.

We are there at your service

Thank You for Choosing Leksa Lighting:

Leksa Lighting Technologies Pvt. Ltd.

Ashwathapura Road, Moodbidri,

Mangalore – 574227, India

www.leksalighting.com

biz@leksalighting.com

+91-7899 54321