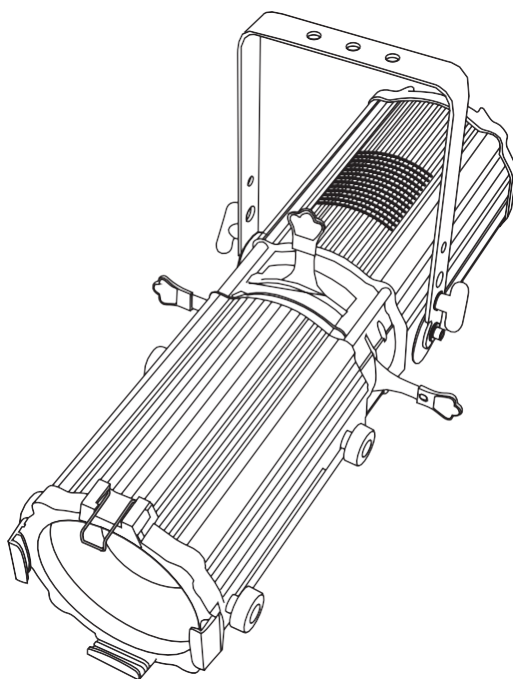


USER GUIDE FOR 300W LED ZOOM PROFILE RGBWAL



Applicable Models:

300W LED ZOOM PROFILE RGBWAL - 18°~38°

Leksa Lighting® all rights reserved, Information, Specifications, Images and Instructions given in the document herein subject to change without further notice. Leksa Lighting Logo, Data and Indicated product names, Model no's herein the trademarks of Leksa Lighting.

You may connect to below contact for your queries:

- 📍 Leksa Lighting Technologies Pvt. Ltd
Ashwathpura Road, Mangalore – 574227, India
- ✉ biz@leksalighting.com
- 🌐 www.leksalighting.com
- 📞 +91-7899 – 543210

For Quality and Service support reach us @ quality@leksalighting.com

Important Notice:

There are no user serviceable parts inside the fixture. Do not attempt any repairs yourself; doing so will cease the manufacturing warranty and such acts will void the manufacturer warranty claims.

- Warranty claims to be reported to the above referred email ID's with the product Sl. Nos.
- Warranty will not be extended on the glass and breakable items like lenses etc.
- Product warranty does not cover the physical damages, breakages etc.
- Product warranty ceases if the product is not used as per manufacturer instructions.
- Product warranty is limited to the functional aspects of the fixture.
- Repair or Replacement is depending on the variance of complaint subject to manufacturer decision.

INSTRUCTIONS :

This Product is IP20 rated. For proper operation, follow the **Installation guidelines described in this manual. Only qualified and** certified personnel should perform the installation and only the original rigging parts (brackets, holders, clamps, safety cables) included with this fixture should be used for installation. Any modifications will void the original manufactures warranty and increase the risk of damage and/or personal injury.

- Never look directly into the light source to prevent risk of injury to your retina, which may induce blindness. Those suffering from EPILEPSY should avoid looking directly into the light source of this unit at all times.
- The fan and air inlets must remain clean and never blocked. Allow approx. 6" (15cm) between this fixture and other devices or a wall for proper cooling.
- Always disconnect from main power source before performing any type of service and/or cleaning procedure. Only handle the power cord by the plug end, never pull by tugging the wire portion of the cord.
- Do NOT operate fixture if the power cord has become frayed, crimped and/or damaged. If the power cord is damaged, replace it immediately with a new one of similar power rating.
- Do NOT operate fixture near any flammable materials.
- Do NOT operate fixture in dusty environments.
- Fixture is IP20 rated and should be operated at the dry spaces. Fixture may get damaged to moistures and wet environments.
- This fixture has an inbuilt signal dimming system. Do NOT connect this fixture for external dimmer packs.
- We urge you to ensure proper mechanical fitments of clamps and a usage of safety chains while suspending from the top.

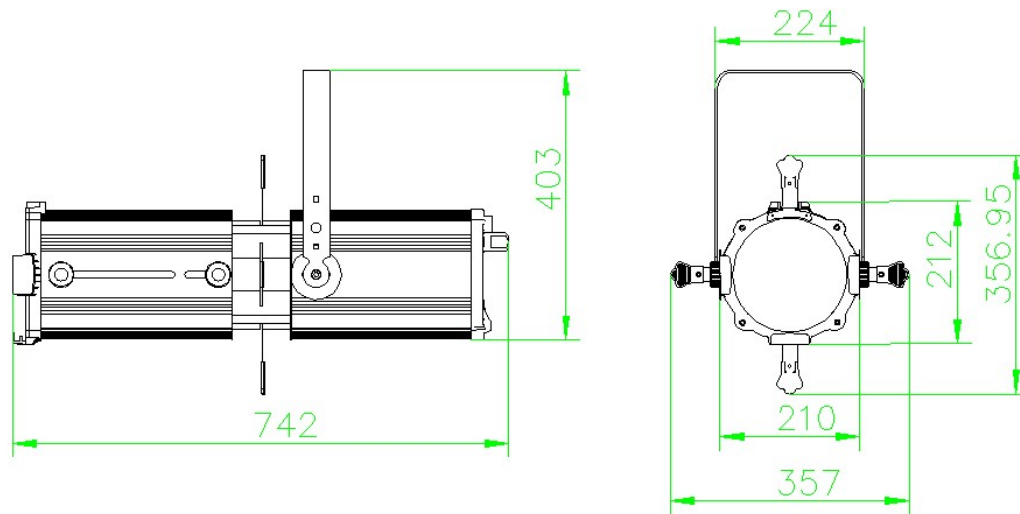
FEATURES & SPECIFICATIONS

Feature:

- 1*300W COB LED (available for RGBAL 5in1)
- 50,000 hours life time and low power consumption
- With RGBAL full color, intelligent color mix system. Adjust high quality mix color
- Color Rendering Index(CRI): Ra≥90
- Fully Tuneable from 2,700 to 12,000K, similar to sunrise to sunset
- High quality optical system and field uniformity
- High contrast aspheric lens
- Auto zoom system(Motorized zoom) from 15°-38°
- Beam edge continually adjustable hard-to-soft
- Aluminum alloy housing
- Thermally insulated rear handle
- High-strength single handle design
- 4 Metal spot cutting
- 4 kinds of dimming curve
- Dimming Frequency: 500HZ - 25000HZ optional
- 4/7 DMX channels
- RDM/DMX512, master-slave, sound control or auto operation
- 4-Button LCD display
- POWRECON connector IN/OUT,3-Pin and 5-pin XLR connectors IN/OUT
- Low noise fan cooling system
- Working Temperature: -10°C~40°C
- IP20 protection rating

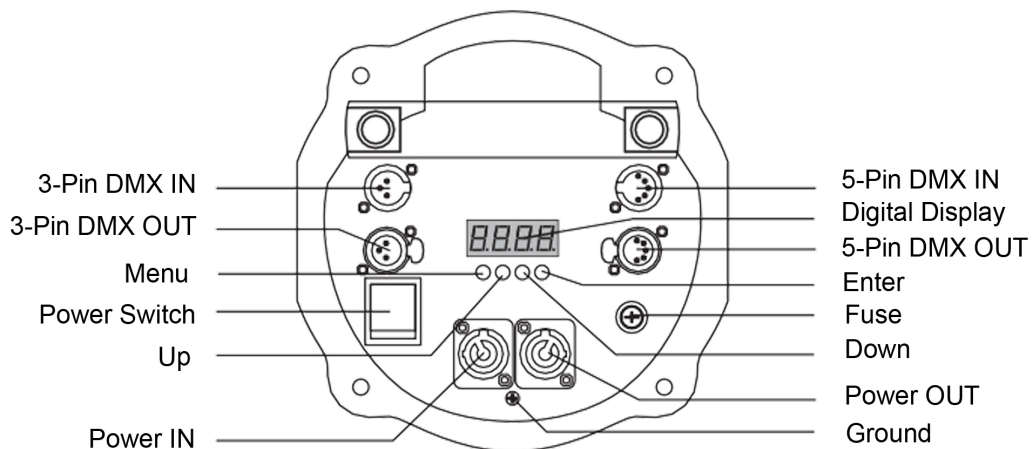
Specifications:

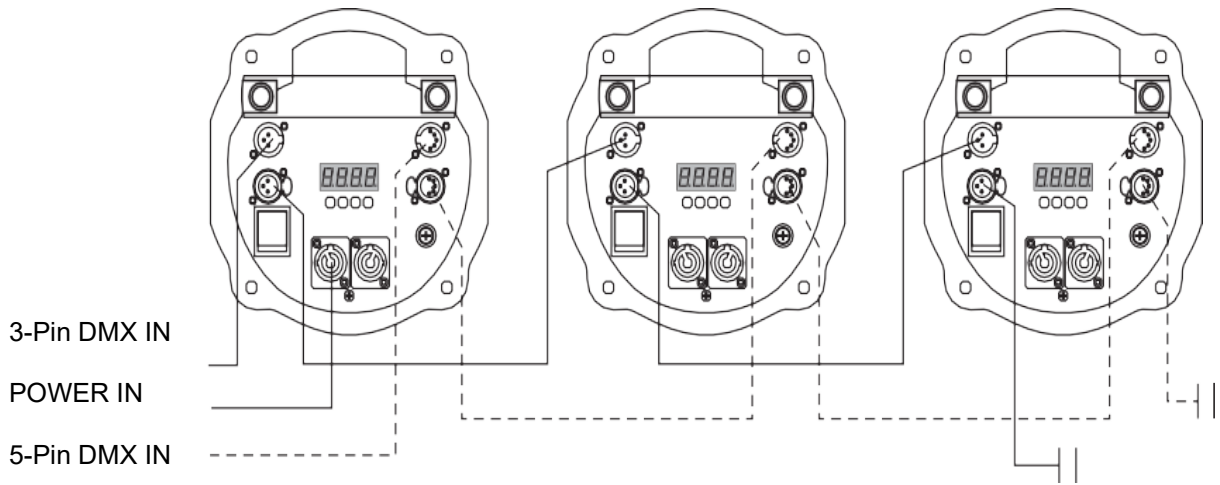
- Input Voltage:AC100-240V 50/60Hz
- Max. Power:300W
- Dimensions: 195(D)*720(W)*415(H)mm
- Packing Size: 332(D)*832(W)*345(H)mm
- Net Weight: 10.5kg
- Gross Weight: 13kg



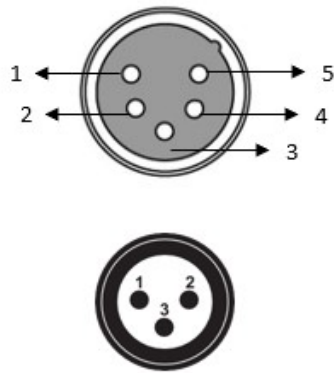
DMX-512 CONTROL CONNECTIONS

Connect the provided XLR cable to the female 3-pin XLR output of your controller and the other side to the male 3-pin XLR input of the moving head. You can chain multiple Moving head together through serial linking. The cable needed should be two core, screened cable with XLR input and output connectors. Please refer to the diagram below.
DMX-512 connection with DMX terminator

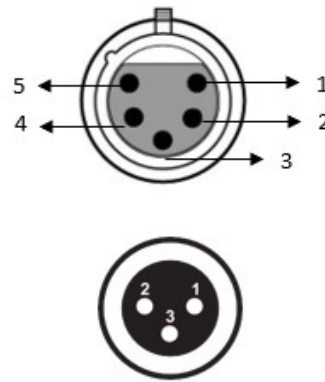




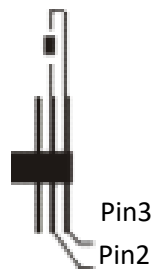
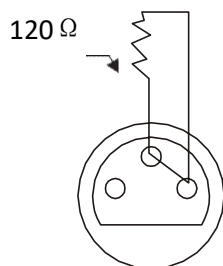
DMX Input
3/5-Pin XLR Socket



DMX Output
3/5-Pin XLR Socket



1	Ground	2	Data -	3	Data +
4	Open	5	Open		



For installations where the DMX cable has to run a long distance or is in an electrically noisy environment, such as in a discotheque, it is recommended to use a DMX terminator. This helps in preventing corruption of the digital control signal by electrical noise. The DMX terminator is simply an XLR plug with a 120 Ω resistor connected between pins 2 and 3, which is then plugged into the output XLR socket of the last fixture in the chain. Please see illustrations below.

Product Feature

- **2 kinds of running model**
 - External control mode (Slave model)
 - ◆ DMX 512 controller control (2 kinds channel modes)
 - ◆ Master/slave model control (auto match the signal from controller and the Master light, no need to set by menu)
 - static mode (Master model)
 - ◆ It can fix any color without the controller, also work this color with strobe
- **Non-linear dimmer and linear dimmer**
 - The speed of dimmer can be set under the controller control
- **Screen Protect**
 - It will enter blank screen without any operate on the keyboard in 30 seconds. Press any keys then it can quit screen protection.
- **Temperature Protection**
 - It can be set to temperature protection mode
- **Speed of the Fan**
 - The fan will start to work when the working temperature reach 40 degrees, and the speed will be changed according to the change of temperature.
- **Can be Reverse display**

Multi-light working in the same time

When using controller to control multi lights to work in strobe, the controller just send the channel data. The strobe effect will be depended on each light itself. And please take attention for the follow situation:

1. There will be many situations make the lights are not synchronization in the beginning. (For example: the different time of opening the light, or different time of them connect to the controller) .In this case, you can change value of the controller(for example push 20 to 0, and back to 20), then it can be synchronization.

2. Due to crystal frequency of different lights are not the same exactly, so it may not be synchronization after long time.

3. If need to keep synchronization for long time, there are two ways to do so:

A. Using the controller to edit program make the strobe, auto run effect, then they must be synchronization.

B. Using the Maser/Slave model

MENU OPERATIONS

Working process

After connect with power, the focus motor starts to reset and the screen shows "Hall Checking".
 If the Hall detection fails, the screen will shows "Hall (Failed)" and enter the main menu after 3 seconds.
 If the Hall detection is successful, that means the reset is successful, then enter the main menu directly.

Menu operation

MENU key: Change to the main menu (no more details in below sheet).

UP/DOWN key: Change the value of the current menu (see below sheet for details).

ENTER key: If there is a submenu, change the submenu (see below sheet for details).

Menu	Vice Menu	Display	Keys Operation
Standard Channel Mode (14 CH)		DMX (14 CH) Addr:001	UP/DOWN: Change the ID address
Basic channel Mode (7 CH)		DMX (7 CH) Addr:001	UP/DOWN: Change the ID address
Auto Mode	Auto program	Auto > Prog: 01	UP/DOWN select auto program ENTER Switch to Submenu
	Speed	Auto > Speed:10	UP/DOWN change speed ENTER Switch to Submenu
Sound Mode		Sound Mode: 1	UP/DOWN change sound mode
Color temperature	Dimmer	CCT > Dimm:255	UP/DOWN dimmer ENTER Switch to Submenu
	Color temperature	CCT > C: 2700K	UP/DOWN change color temperature ENTER Switch to Submenu (Long press ENTER to enter edit mode)
Color Mode	Dimmer	Color > Dimm:255	UP/DOWN dimmer ENTER Switch to Submenu
	Name of color	Color > CN: L106	UP/DOWN select color ENTER Switch to Submenu
Static Model	Dimmer: Color1	Static > C1 :000	UP/DOWN Dimmer ENTER Switch to Submenu
	dimmer: Color2	Static > C2 :000	UP/DOWN Dimmer ENTER Switch to Submenu
	Dimmer: Color3	Static > C3 :000	UP/DOWN Dimmer ENTER Switch to Submenu
	Dimmer: Color4	Static > C4 :000	UP/DOWN Dimmer ENTER Switch to Submenu

	Dimmer: Color5	Static > C5 :000	UP/DOWN Dimmer ENTER Switch to Submenu
	Strob	Static > Strob:00	UP/DOWN Change strob ENTER Switch to Submenu
	Zoom	Static > Foc1:000	UP/DOWN Zoom ENTER Switch to Submenu
	Focus	Static > Foc2:000	UP/DOWN Focus ENTER Switch to Submenu
Dimmer Frequency		PWM Mode F:1100Hz	UP/DOWN Change frequency
Dimmer Curve		Curve C:Stand.	UP/DOWN Change Dimmer curve
Control Temperature	Current temperature	Temp > Curr: 0	ENTER Switch to Submenu
	Set the temperature protection data	Temp > Top :080	UP/DOWN Set temperature data ENTER Switch to Submenu
Restore the default settings		Reset	Press "ENTER" key, type your password, as follows:
		Reset Pwd:	Press " UP / DOWN" keys to enter a password, enter a password will display a "*" sign. as follows:
		Reset Pwd:****	Press "ENTER" to confirm the password. The correct password will restore the default settings. Otherwise, clear all "*" in order to re-enter the password.

Note:

- 1, if the first row of the menu shows ">" symbol, it indicates that there is the sub-menu can be switched by pressing the ENTER key.
- 2, the password is "UP, DOWN, UP, DOWN".
3. After selecting a certain color temperature in the color temperature menu, long press the ENTER key to enter the editing mode of the color temperature, and the value of each color can be modified.

DMX CHANNELS

14CH Mode (standard channel mode)

Channel	Data	Function	Notes
1	0~255	Dimmer	
2	0~255	Color 1 (red)	
3	0~255	Color 2 (green)	
4	0~255	Color 3 (blue)	
5	0~255	Color 4 (amber)	
6	0~255	Color 5 (lime)	
7	0~9	No effect	Each 10 data for each color temperature
	10~19	Color temperature 1	
	Color temperature n	
8	0~9	No effect	Each 10 data for each built-in color
	10~19	Built-in color 1	
	Built-in color n	
9	0~10	No function	
	11~255	Strobe speed (255 is the fastest)	
10	0~9	Speed of dimmer 4 (the slowest and softest)	Speed of dimmer 3
	10~19	Built-in program 1	
	Each 10 data for one auto	
	80~89	Speed of dimmer 4 (the slowest and softest)	
	90~119	Speed of dimmer OFF (the fastest and no delay)	
	120~139	Speed of dimmer 3	
	140~159	Speed of dimmer 2	
	160~179	Speed of dimmer 1	
	180~255	Dimming speed OFF (fastest, no delay)	
	200~219	Sound mode1	
220~255	Sound mode2		
11	0~255	Focus 1	
12	0~255	Focus 2	
13	0~255	Speed of Focus 1	Data 0 is the fastest , Data 255 is the Slowest.
14	0~255	Speed of Focus 2	Data 0 is the fastest , Data 255 is the Slowest.

7CH Mode(Basic channel mode)

Channel	Data	Function
1	0~255	Color 1 (red)
2	0~255	Color 2 (green)
3	0~255	Color 3 (blue)
4	0~255	Color 4 (amber)
4	0~255	Color 5 (lime)
6	0~255	Focus 1
7	0~255	Focus 2

INSTALLATIONS:

Before mounting the fixture to any surface, make sure that the installation area can hold a minimum point load of 10 times the device's weight.

Fixture installation must always be secured with a secondary safety attachment, such as an appropriate safety cable.

Never stand directly below the device when mounting, removing, or servicing the fixture.

From a ceiling, or set on a flat. Be sure this fixture is kept at least 0.5m (1.5 ft) away from any flammable materials.

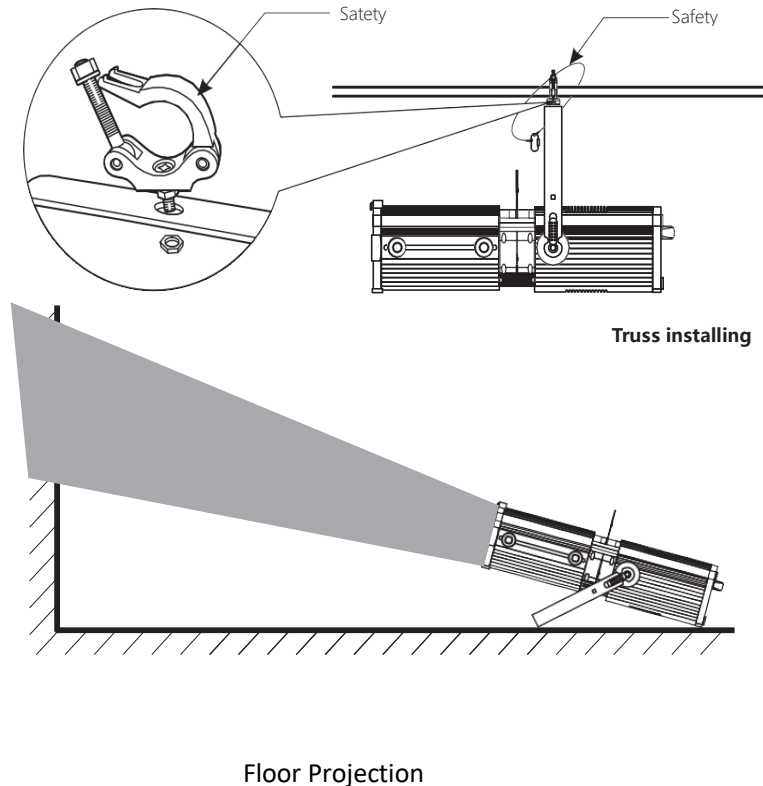
Please ensure that the led profile spotlight is hang using the appropriate "C" clamp or "O" Clamp. A safety chain or cable should also be used as a secondary point of holding the fixture in case the clamp comes loose. Never hang the fixture without a safety chain or cable.

There is an eye-bolt on the back of the fixture to which the safety chain or cable can threaded through and then hung from the secondary point. Make sure the Gel frame (Gel holder) is clipped into position correctly and cannot come loose.

If you are not qualified or have any doubts about hanging the led profile spotlight then do NOT hang it.

Do not clamp the safety cable to the U bracket or clamp. That is not a secondary safety point.

A secondary safety point is any point that will adequately hold the led profile spotlight if the "C" clamp or "O" Clamp fails.

**Note:**

In a DmX Mode, Light fixture will operate with 1 Channel. For a Bi Color Fixture 2 Channels will be utilized.

CW – Stands for Cool White 5600K, WW – Stands for Warm White 3200K.

Do NOT open the fixture for any kind of repair. There are parts which can be operated by authorized personnel only.

For Further assistance, you are requested to contact our office or authorized dealers.
We are there at your service.

Thank You for Choosing Leksa Lighting:

Leksa Lighting Technologies Pvt. Ltd.
Ashwathapura Road, Moodbidri,
Mangalore – 574227, India
www.leksalighting.com
biz@leksalighting.com
+91-7899 543210