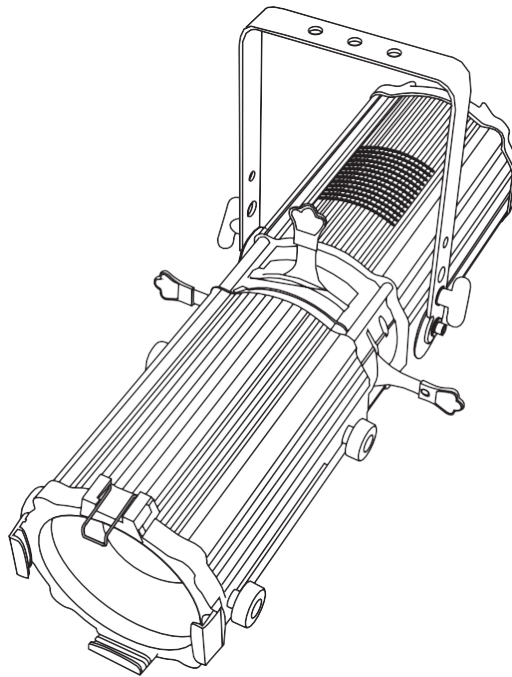


## **USER GUIDE FOR 200W LED ZOOM PROFILE RGB**



### **Applicable Models:**

200W LED ZOOM PROFILE RGB 15° - 38°

Leksa Lighting® all rights reserved, Information, Specifications, Images and Instructions given in the document herein subject to change without further notice. Leksa Lighting Logo, Data and Indicated product names, Model no's herein the trademarks of Leksa Lighting.

You may connect to below contact for your queries:

- 📍 Leksa Lighting Technologies Pvt. Ltd  
Ashwathpura Road, Mangalore – 574227, India
- ✉ [biz@leksalighting.com](mailto:biz@leksalighting.com)
- 🌐 [www.leksalighting.com](http://www.leksalighting.com)
- 📞 +91-7899 – 543210

For Quality and Service support reach us @ [quality@leksalighting.com](mailto:quality@leksalighting.com)

### **Important Notice:**

There are no user serviceable parts inside the fixture. Do not attempt any repairs yourself; doing so will cease the manufacturing warranty and such acts will void the manufacturer warranty claims.

- Warranty claims to be reported to the above referred email ID's with the product Sl. Nos.
- Warranty will not be extended on the glass and breakable items like lenses etc.
- Product warranty does not cover the physical damages, breakages etc.
- Product warranty ceases if the product is not used as per manufacturer instructions.
- Product warranty is limited to the functional aspects of the fixture.
- Repair or Replacement is depending on the variance of complaint subject to manufacturer decision.

### **Instructions:**

This Product is IP20 rated. For proper operation, follow the **Installation guidelines described in this manual. Only qualified and** certified personnel should perform the installation and only the original rigging parts (brackets, holders, clamps, safety cables) included with this fixture should be used for installation. Any modifications will void the original manufactures warranty and increase the risk of damage and/or personal injury.

- Never look directly into the light source to prevent risk of injury to your retina, which may induce blindness. Those suffering from EPILEPSY should avoid looking directly into the light source of this unit at all times.
- The fan and air inlets must remain clean and never blocked. Allow approx. 6" (15cm) between this fixture and other devices or a wall for proper cooling.
- Always disconnect from main power source before performing any type of service and/or cleaning procedure. Only handle the power cord by the plug end, never pull by tugging the wire portion of the cord.
- Do NOT operate fixture if the power cord has become frayed, crimped and/or damaged. If the power cord is damaged, replace it immediately with a new one of similar power rating.
- Do NOT operate fixture near any flammable materials.
- Do NOT operate fixture in dusty environments.
- Fixture is IP20 rated and should be operated at the dry spaces. Fixture may get damaged to moistures and wet environments.
- This fixture has an inbuilt signal dimming system. Do NOT connect this fixture for external dimmer packs.
- We urge you to ensure proper mechanical fitments of clamps and a usage of safety chains while suspending from the top.

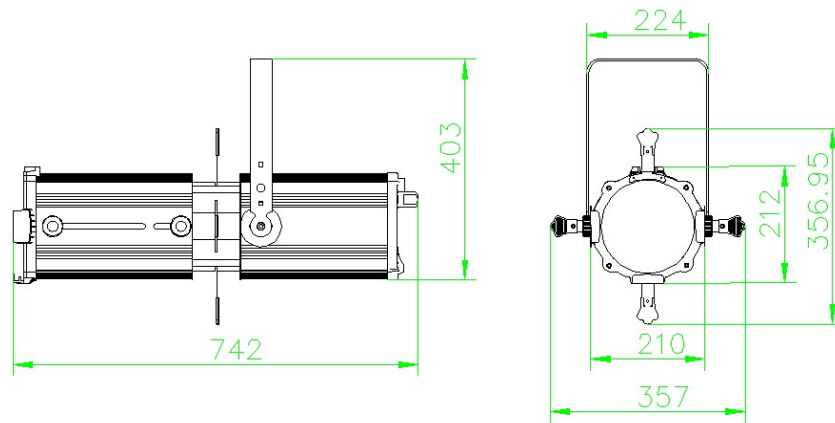
## FEATURES & SPECIFICATIONS

### Feature:

- 1\*200W COB LED (available for RGBW 4IN1)
- 50,000 hours life time and low power consumption
- High quality optical system and field uniformity
- High contrast aspheric lens
- Auto zoom system(Motorized zoom) from 15°-38°
- Beam edge continually adjustable hard-to-soft
- Aluminum alloy housing
- Thermally insulated rear handle
- High-strength single handle design
- 4 Metal spot cutting
- Ultra smooth 16-bit dimming
- Strobe :1-25times/sec
- 6/12 DMX channels
- DMX512, master-slave, sound control or auto operation
- 4-Button LCD display
- POWRECON connector IN/OUT,3-Pin and 5-pin XLR connectors IN/OUT
- Low noise fan with copper liquid cooling system
- Working Temperature: -10°C~40°C
- IP20 protection rating

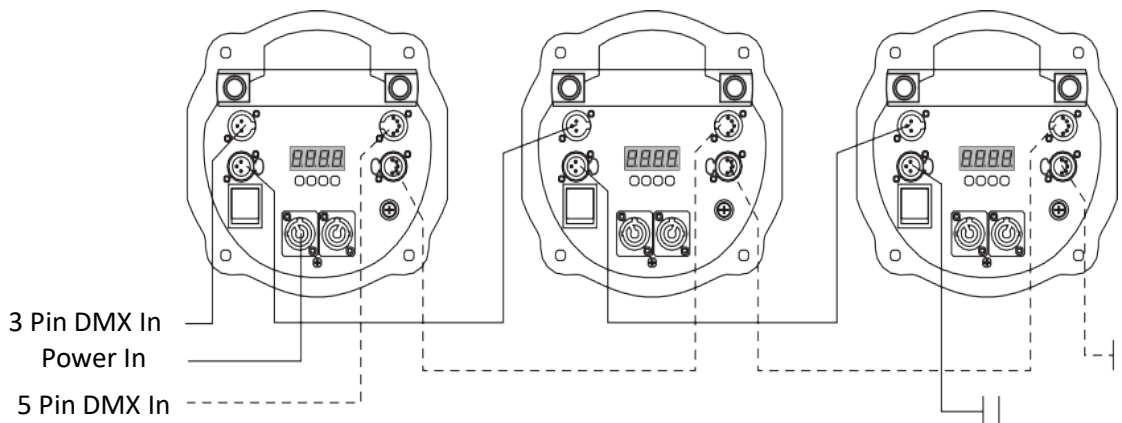
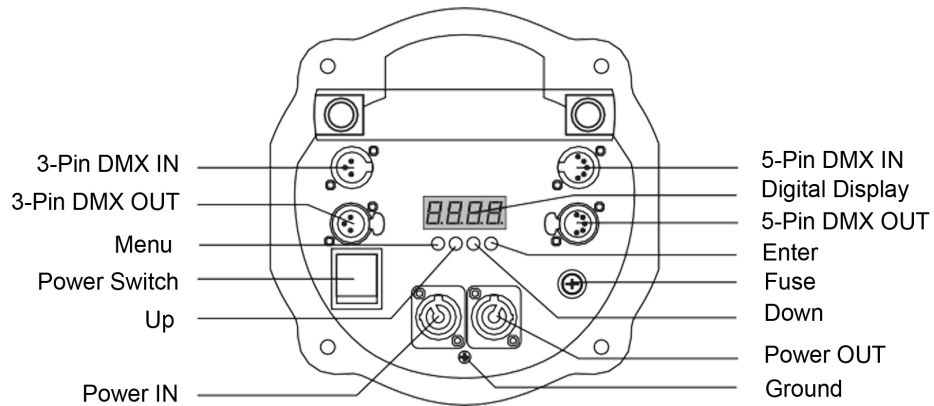
### Specifications:

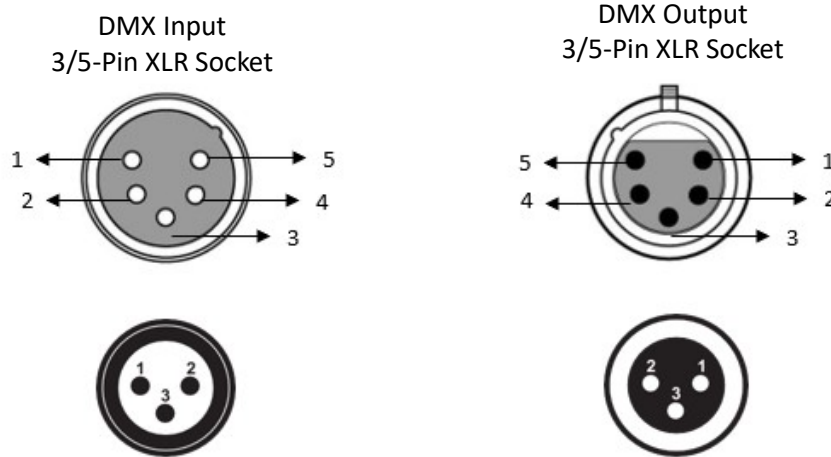
- Input Voltage:AC100-240V 50/60Hz
- Max. Power:200W
- Dimensions: 195(D)\*720(W)\*415(H)mm
- Packing Size: 332(D)\*832(W)\*345(H)mm
- Net Weight: 10.5kg
- Gross Weight: 13kg



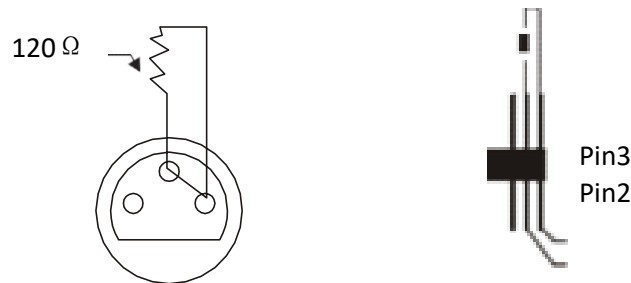
### DMX-512 CONTROL CONNECTIONS

Connect the provided XLR cable to the female 3-pin XLR output of your controller and the other side to the male 3-pin XLR input of the moving head. You can chain multiple Moving head together through serial linking. The cable needed should be two core, screened cable with XLR input and output connectors. Please refer to the diagram below.  
DMX-512 connection with DMX terminator





1	Ground	2	Data -	3	Data +
4	Open	5	Open		



**Note**

- DMX 512 Signal looping can be done from one fixture to other.
- Maximum 25 to 30 Fixtures can be taken in a single loop provided the distance is within short range.
- No Y Split is allowed for DMX looping.

DMX last open end to be terminated with a 120 Ohm Resistor termination plug

## Product Feature

- **2 kinds of running model**
  - External control mode (Slave model)
    - ◆ DMX 512 controller control (2 kinds channel modes)
    - ◆ Master/slave model control (auto match the signal from controller and the Master light, no need to set by menu)
  - static mode (Master model)
    - ◆ It can fix any color without the controller ,also work this color with strobe
- **Non-linear dimmer and linear dimmer**
  - The speed of dimmer can be set under the controller control
- **Screen Protect**
  - It will enter blank screen without any operate on the keyboard in 30 seconds . Press any keys then it can quit screen protection.
- **Temperature Protection**
  - It can be set to temperature protection mode
- **Speed of the Fan**
  - The fan will start to work when the working temperature reach 40 degree, and the speed will be changed according to the change of temperature.
- **Can be Reverse display**

## Multi-light working in the same time

When using controller to control multi lights to work in strobe, the controller just send the channel data. The strobe effect will be depended on each light itself. And please take attention for the follow situation:

1. There will be many situations make the lights are not synchronization in the beginning. (For example: the different time of opening the light, or different time of them connect to the controller). In this case, you can change value of the controller (for example push 20 to 0, and back to 20), then it can be synchronization.

2. Due to crystal frequency of different lights are not the same exactly, so it may not be synchronization after long time.

3. If need to keep synchronization for long time, there are two ways to do so:

A. Using the controller to edit program make the strobe, auto run effect, then they must be synchronization.

B. Using the Maser/Slave model

## MENU OPERATIONS

### Working process

After connect with power, the focus motor starts to reset and the screen shows "Hall Checking". If the Hall detection fails, the screen will shows "Hall (Failed)" and enter the main menu after 3 seconds.

If the Hall detection is successful, that means the reset is successful, then enter the main menu directly.

### Menu operation

MENU key: Change to the main menu (no more details in below sheet).

UP/DOWN key: Change the value of the current menu (see below sheet for details).

ENTER key: If there is a submenu, change the submenu (see below sheet for details).

Menu	Vice Menu	Display	Keys Operation
Standard Channel Mode (12 CH)		DMX (12 CH) Addr:001	UP/DOWN: Change the ID address
Basic channel Mode (6 CH)		DMX (6 CH) Addr:001	UP/DOWN: Change the ID address
Static Model	Dimmer Color 1 (Red)	Static > R:000	UP/DOWN: Dimmer ENTER: Change the vice menu
	Dimmer Color 2 (Green)	Static > G:000	UP/DOWN: Dimmer ENTER: Change the vice menu
	Dimmer Color 3 (Blue)	Static > B:000	UP/DOWN: Dimmer ENTER: Change the vice menu
	Dimmer Color 4 (White)	Static > W:000	UP/DOWN: Dimmer ENTER: Change the vice menu
	Strobe	Static > Strob:00	UP/DOWN: Strobe ENTER: Change the vice menu
	Zoom	Static > Focu:000	UP/DOWN: Zoom Changing ENTER: Change the vice menu
Control Temperature	Current temperature	Temp > Curr: 0	ENTER: Change the vice menu
	Set the temperature protection data	Temp > Top :080	UP/DOWN: Set temperature data ENTER: Change the vice menu
Restore the default settings		Reset	Press "ENTER" key, type your password, as follows:
		Reset Pwd:	Press " UP / DOWN" keys to enter a password, enter a password will display a "*" sign. as follows:
		Reset Pwd:****	Press "ENTER" to confirm the password. The correct password will restore the default settings. Otherwise, clear all "*" in order to re-enter the password.



## DMX CHANNELS

### 12CH Mode (standard channel mode)

Channel	Data	Function	Notes
1	0~255	Dimmer	
2	0~255	Color 1 (red)	
3	0~255	Color 2 (green)	
4	0~255	Color 3 (blue)	
5	0~255	Color 4 (white)	
6	0~30	No effect	
	31~200	Multi-color change	
	201~205	Color temperature 1 (default 3200K)	
	.....	Color temperature 2~10 (each 5 data is a color temperature)	
7	250~255	Color temperature 11 (default 10000K)	When you run the built-in program, this channel control speed
	0~10	No Strobe	
8	11~255	Speed of strobe (data 255 is the fastest)	
	0~20	Speed of dimmer 4 (the slowest and softest)	
	21~40	Speed of dimmer 3	
	41~60	Speed of dimmer 2	
	61~80	Speed of dimmer 1	
	81~99	Speed of dimmer OFF (the fastest and no delay)	
	100~109	Built-in program 1	
	.....	..... (Each 10 data is a program)	
	190~199	Built-in program 10	
	200~240	Sound Model	
241~255	Strobe by sound model		
9	0~255	Focus 1	
10	0~255	Focus 2	
11	0~255	Speed of Focus 1	Data 0 is the fastest , Data 255 is the Slowest.
12	0~255	Speed of Focus 2	Data 0 is the fastest , Data 255 is the Slowest.

### 6CH Mode(Basic channel mode)

Channel	Data	Function
1	0~255	Color 1 (red)
2	0~255	Color 2 (green)
3	0~255	Color 3 (blue)
4	0~255	Color 4 (white)
5	0~255	Focus 1
6	0~255	Focus 2

## INSTALLATIONS

Before mounting the fixture to any surface, make sure that the installation area can hold a minimum point load of 10 times the device's weight.

Fixture installation must always be secured with a secondary safety attachment, such as an appropriate safety cable.

Never stand directly below the device when mounting, removing, or servicing the fixture.

From a ceiling, or set on a flat level surface. Be sure this fixture is kept at least 0.5m (1.5 ft) away from any flammable materials.

Please ensure that the led profile spotlight is hang using the appropriate "C" clamp or "O" Clamp. A safety chain or cable should also be used as a secondary point of holding the fixture in case the clamp comes loose. Never hang the fixture without a safety chain or cable.

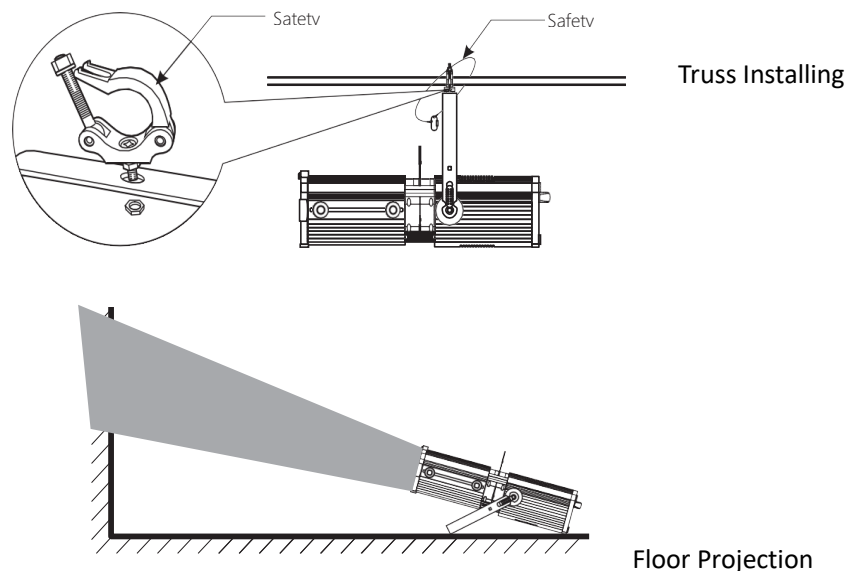
There is an eye-bolt on the back of the fixture to which the safety chain or cable can threaded through and then hung from the secondary point. Make sure the Gel frame (Gel holder) is clipped into position correctly and cannot come loose.

If you are not qualified or have any doubts about hanging the led profile spotlight then do NOT hang it.

Do not clamp the safety cable to the U bracket or clamp. That is not a secondary safety point.

A secondary safety point is any point that will adequately hold the led profile spotlight if the "C" clamp or "O" Clamp fails.

Then the safety cable would be the backup and stop the fixture from falling to the ground. So do NOT fix the safety cable to the same place that the "C" clamp is attached



**Note:**

In a DmX Mode, Light fixture will operate with 1 Channel. For a Bi Color Fixture 2 Channels will be utilized.

CW – Stands for Cool White 5600K, WW – Stands for Warm White 3200K.

Do NOT open the fixture for any kind of repair. There are parts which can be operated by authorized personnel only.

For Further assistance, you are requested to contact our office or authorized dealers.  
We are there at your service.

Thank You for Choosing Leksa Lighting:

Leksa Lighting Technologies Pvt. Ltd.  
Ashwathapura Road, Moodbidri,  
Mangalore – 574227, India  
[www.leksalighting.com](http://www.leksalighting.com)  
[biz@leksalighting.com](mailto:biz@leksalighting.com)  
+91-7899 543210