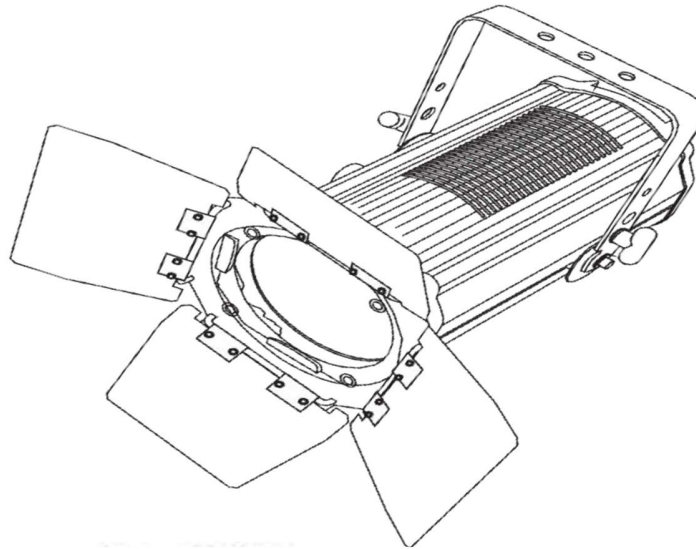


# **USER GUIDE FOR FRESNEL 600W-CW+WW**



## **Applicable Models:**

STUDIO FRESNEL LIGHT 600W, AC 230V



Leksa Lighting® all rights reserved, Information, Specifications, Images and Instructions given in the document herein subject to change without further notice. Leksa Lighting Logo, Data and Indicated product names, Model no's herein the trademarks of Leksa Lighting.

You may connect to below contact for your queries:



Leksa Lighting Technologies Pvt. Ltd



Ashwathpura Road, Mangalore – 574227, India



[biz@leksalighting.com](mailto:biz@leksalighting.com)



[www.leksalighting.com](http://www.leksalighting.com)

+91-7899 – 543210

For Light Service support reach us @ [quality@leksalighting.com](mailto:quality@leksalighting.com) & [service@leksalighting.com](mailto:service@leksalighting.com)

### **Important Notice:**

There are no user serviceable parts inside the fixture. Do not attempt any repairs yourself, doing so will cease the manufacturing warranty and such acts will void the manufacturer warranty claims.

- Warranty claims to be reported to the above referred email ID's with the product Sl. Nos.
- Warranty will not be extended on the glass and breakable items like lenses etc.
- Product warranty does not cover the physical damages, breakages etc.
- Product warranty ceases if the product is not used as per manufacturer instructions.
- Product warranty is limited to the functional aspects of the fixture.
- Repair or Replacement is depending on the variance of complaint subject to manufacturer decision.

## Instructions:

This Product is IP20 rated. For proper operation, follow the **Installation guidelines described in this manual. Only qualified and** certified personnel should perform the installation and only the original rigging parts (brackets, holders, clamps, safety cables) included with this fixture should be used for installation. Any modifications will void the original manufactures warranty and increase the risk of damage and/or personal injury.

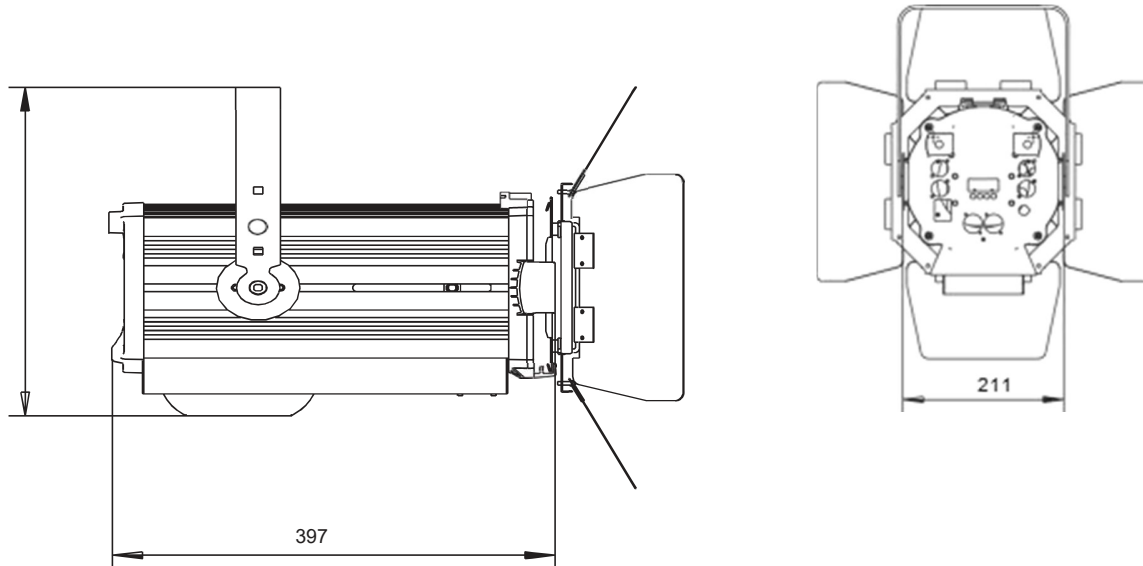
- Never look directly into the light source to prevent risk of injury to your retina, which may induce blindness. Those suffering from EPILEPSY should avoid looking directly into the light source of this unit at all times.
- The fan and air inlets must remain clean and never blocked. Allow approx. 6" (15cm) between this fixture and other devices or a wall for proper cooling.
- Always disconnect from main power source before performing any type of service and/or cleaning procedure. Only handle the power cord by the plug end, never pull by tugging the wire portion of the cord.
- Do NOT operate fixture if the power cord has become frayed, crimped and/or damaged. If the power cord is damaged, replace it immediately with a new one of similar power rating.
- Do NOT operate fixture near any flammable materials.
- Do NOT operate fixture in dusty environments.
- Fixture is IP20 rated and should be operated at the dry spaces. Fixture may get damaged to moistures and wet environments.
- This fixture has an inbuilt signal dimming system. Do NOT connect this fixture for external Dier packs.

- We urge you to ensure proper mechanical fitments of clamps and a usage of safety Chain while suspending from the top.

## RES & SPECIFICATIONS

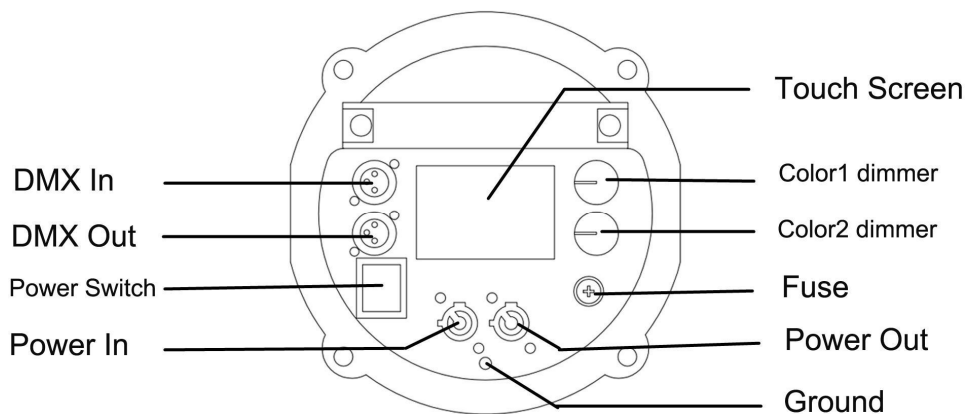
Feature:
*CW+WW(2in1 300W) COB LED, LED POWER: 600W
*50,000 hours life time and low power consumption
*Color Rendering Index(CRI): Ra≥90
*High efficiency fresnel lens
*Soft and even field of light
*Manual zoom system from 15°-50°
*Aluminum alloy housing
*Thermally insulated rear handle
*High-strength single handle design
*Barn door included
*4 kinds of dimming curve
*Dimming Frequency: 500HZ - 25000HZ optional
*2 DMX channels
*Control Protocol: RDM / DMX , Auto run and Master/Slave control system
*LCD with touch screen
*Low noise fan with copper liquid cooling system
* Working Temperature: -10°C~40°C
*IP20 protection rating
Specifications:
*Input Voltage:AC100-240V 50/60Hz
*Max. Power:300W
*Dimensions: 397(D)*211(W)*378(H)mm
*Packing Size: 580(D)*325(W)*320(H)mm
*Net Weight: 9kg
*Gross Weight: 11.5kg

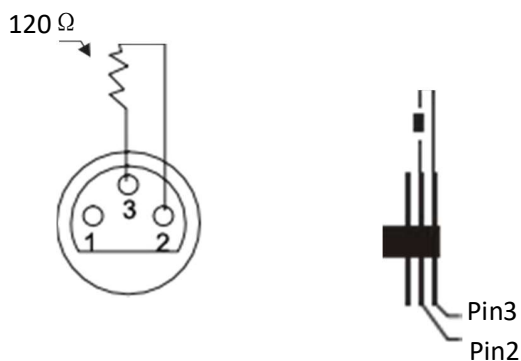
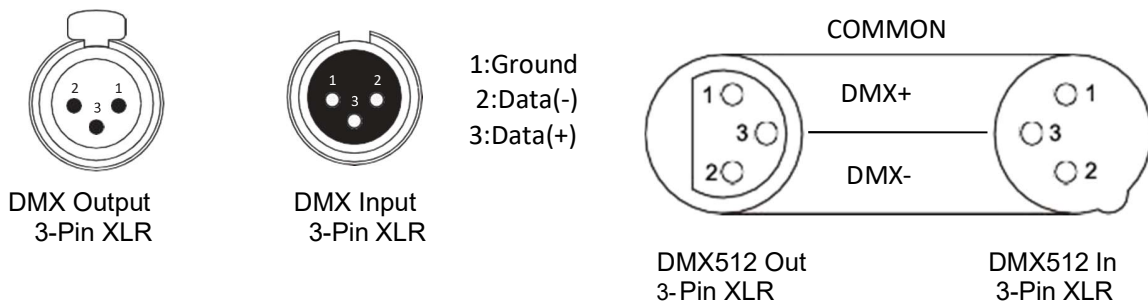
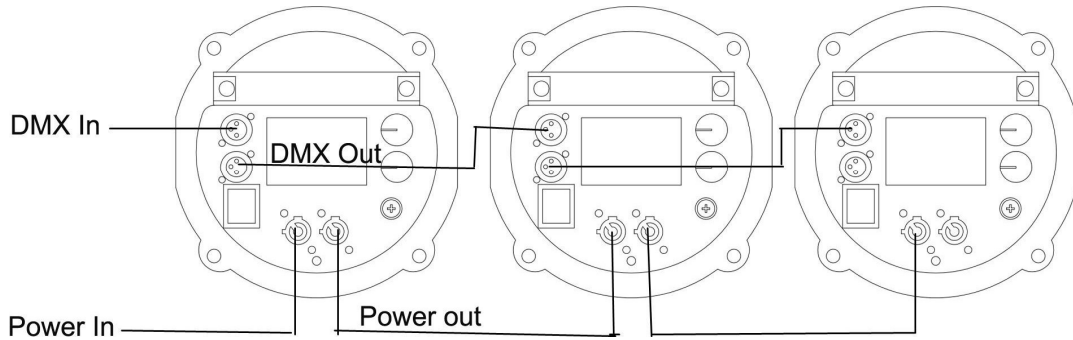
**FIXTURE DIMENSION :**



**DMX-512 CONTROL CONNECTIONS**

Connect the provided XLR cable to the female 3-pin XLR output of your controller and the otherside to the male 3-pin XLR input of the moving head. You can chain multiple Moving head together through serial linking. The cable needed should be two core, screened cable with XLR input and output connectors. Please refer to the diagram below. DMX-512 connection with DMX terminator





For installations where the DMX cable has to run a long distance or is in an electrically noisy environment, such as in a discotheque, it is recommended to use a DMX terminator. This helps in preventing corruption of the digital control signal by electrical noise. The DMX terminator is simply an XLR plug with a 120 Ω resistor connected between pins 2 and 3, which is then plugged into the output XLR socket of the last fixture in the chain. Please see illustrations below.

## Product Feature

### 2 kinds of running model

- External control mode (Slave model)
  - ◆ DMX 512 controller control(2 kinds channel modes)
  - ◆ Master/salve model control (auto match the signal from controller and the Masterlight, no need to set by menu)
- static mode (Master model)
  - ◆ It can fix any color without the controller

### Non-linear dimmer and linear dimmer

- The speed of dimmer can be set under the controller control

### Screen Protect

- It will enter blank screen without any operate on the keyboard in 30 seconds .  
Press anykeys then it can quit screen protection.

### Temperature Protection

- It can be set to temperature protection mode

### Speed of the Fan

- The fan will start to work when the working temperature reach 40 degree, and the speedwill be changed according to the change of temperature.

### Can be Reverse display

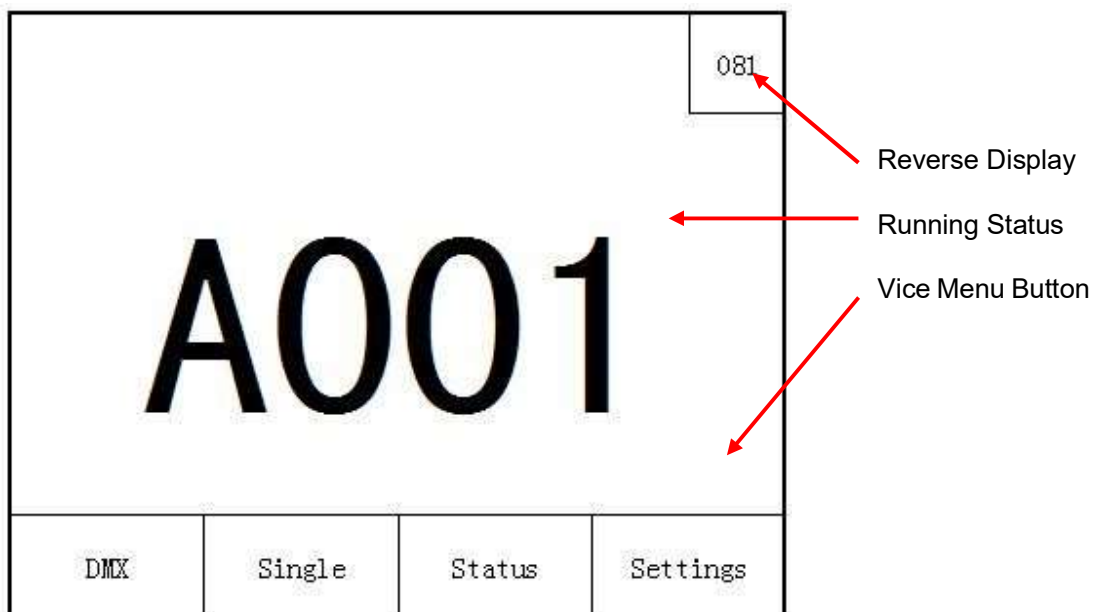
## Multi-light working in the same time

When using controller to control multi lights to work together, the controller just send thechannel data . And please take attention for the follow situation:

1. There will be many situations make the lights are not synchronization in the beginning. (For example: the different time of opening the light , or different time of them connect to the controller) .In this case, you can change value of the controller( for example push 20 to 0, and back to 20), then it can be synchronization.
2. Due to crystal frequency of different lights are not the same exactly, so it may not be synchronization after long time.
3. If need to keep synchronization for long time, there are two ways to do so:
  - A. Using the controller to edit program, auto run effect,then they must be synchronization.
  - B. Using the Maser/Slave model

## Main Menu

### 6.1 Main Menu



### 6.2 Operation Status

Mode	Display	Description
DMX Mode	DMX	"D" stand for DMX mode
Temperature Mode	M-WP	"M" stand for stand Master, "WP" stand for "White Point"



## Vice Menu

### 7.1 Master Mode:

Menu	State	Operation
Intensity	Dimmer (0~100%)	Press knob 1 to enter or exit the editing of address data. (Turn left or right for changing the data)
White Point	Color temperature (3000~6000K)	

### 7.2 Status

Software	Name of software
Version	Version
Temperature	Show the current temperature of the fixture
DMX Status	Show "OK" (Slave, with DMX signal), "NONE" (Slave, without DMX signal), "Master" (Master)
.....	(other)

### 7.3 Setting

Menu	State	Option	Mark
Touch Screen Calibration	Touch Screen Calibration		
Dimmer Frequency	Choose the dimmer frequency	500HZ	Increase or decrease with data of 100HZ
		.....	
Dimmer Curve	Choose the dimmer curve	25000HZ	
		Standard	
		Incandescent	
Over Temperature	Set the protect temperature	Linear	
		Quick	
Backlight	Adjust the Backlight brightness	80~100	Increase or decrease with data of 5
Backlight Timeout	Set the screen protect time	10%~100%	Increase or decrease with data of 5%
Load Factory Settings	Reset	screen protect or screen protect after 5~60 seconds	Increase or decrease with data of 5

## 7.4 Screw operation

For example of “changing the brightness under the master mode”

1. In main menu, turn the knob 1 and choose “Master”, press knob 1 for enter.
2. In the menu of “white point”, turn the knob 1, choose the “Intensity”
3. Press knob 1 enter editing status.
4. Turn knob 1 for choosing the brightness (Long press for increase or decrease continuously)
5. Press knob 1 exit edit status.

## DMX Menu



Enter DMX mode:

1. If you are in DMX mode, the main menu will turn into DMX menu automatically after 5 seconds
2. Menu of DMX address (DMX mode) will turn into DMX menu automatically after 5 seconds

Quit DMX mode

1. Screw mode: Press knob 2.
2. Touch mode: Touch any area out of “DMX” in DMX menu (press “DMX” is enter the menu for setting DMX address)

DMX Menu Operation:

1. DMX mode: When the DMX 512 signal is connected correctly and the data of channel 1 which is bigger than 0, use the received DMX data value for dimmer and temperature control (See the channel data sheet). This moment knob 1 and knob 2 can not be used in dimmer; knob 1 only use for menu operation. For example, Changing the DMX address: press knob 1 to enter or exit the editing status. (Turn left or right for changing the dmx address)
2. Screw mode: When disconnect DMX signal or the channel 1 data is 0, can use knob 1 or the dimmer, knob 2 for color temperature.

## DMX CHANNELS

Channel	Data	Function	Mark	Channel 2 data mnemonic	
1	0	Screw Mode	Knob 1 is for dimmer		
	1~255	Dimmer			
2	0~11	3000K	Color temperature 1	8 = 1*8	<p>Totally 31 kinds of color temperature.            Quick color: If you need the color of N, then take the data value of N*8. For example you need the color 1: 1*8, to push the channel data in 8.</p>
	12~19	3100K	Each 8 data is for a color temperature	16 = 2*8	
	20~23 5	3200K~5800K		(V = N*8)	
	236~243	5900K		240 = 30*8	
	244~255	6000K		Color temperature 31	

For Further assistance, you are requested to contact our office or authorized dealers.  
We are there at your service

Thank You for Choosing Leksa Lighting:

Leksa Lighting Technologies Pvt. Ltd.

Ashwathapura Road, Moodbidri,

Mangalore – 574227, India

[www.leksalighting.com](http://www.leksalighting.com)

[biz@leksalighting.com](mailto:biz@leksalighting.com)

+91-7899 54321