

USER GUIDE FOR GLAMOUR PANEL LIGHT 200W



Applicable Models:

GLAMOUR PANEL LIGHT 200W, AC 230V

Leksa Lighting® all rights reserved, Information, Specifications, Images and Instructions given in the document herein subject to change without further notice. Leksa Lighting Logo, Data and Indicated product names, Model no's herein the trademarks of Leksa Lighting.

You may connect to below contact for your queries:

-  Leksa Lighting Technologies Pvt. Ltd
Ashwathpura Road, Mangalore – 574227, India
-  biz@leksalighting.com
-  www.leksalighting.com
-  +91-7899 – 543210

For Light Service support reach us @ quality@leksalighting.com & service@leksalighting.com

Important Notice:

There are no user serviceable parts inside the fixture. Do not attempt any repairs yourself, doing so will cease the manufacturing warranty and such acts will void the manufacturer warranty claims.

- Warranty claims to be reported to the above referred email ID's with the product Sl. Nos.
- Warranty will not be extended on the glass and breakable items like lenses etc.
- Product warranty does not cover the physical damages, breakages etc.
- Product warranty ceases if the product is not used as per manufacturer instructions.
- Product warranty is limited to the functional aspects of the fixture.
- Repair or Replacement is depending on the variance of complaint subject to manufacturer decision.

Instructions:

This Product is IP20 rated. For proper operation, follow the **Installation guidelines described in this manual. Only qualified and** certified personnel should perform the installation and only the original rigging parts (brackets, holders, clamps, safety cables) included with this fixture should be used for installation. Any modifications will void the original manufactures warranty and increase the risk of damage and/or personal injury.

- Never look directly into the light source to prevent risk of injury to your retina, which may induce blindness. Those suffering from EPILEPSY should avoid looking directly into the light source of this unit at all times.

- The fan and air inlets must remain clean and never blocked. Allow approx. 6" (15cm) between this fixture and other devices or a wall for proper cooling.

- Always disconnect from main power source before performing any type of service and/or cleaning procedure. Only handle the power cord by the plug end, never pull by tugging the wire portion of the cord.

- Do NOT operate fixture if the power cord has become frayed, crimped and/or damaged. If the power cord is damaged, replace it immediately with a new one of similar power rating.

- Do NOT operate fixture near any flammable materials.

- Do NOT operate fixture in dusty environments.

- Fixture is IP20 rated and should be operated at the dry spaces. Fixture may get damaged to moistures and wet environments.

- This fixture has an inbuilt signal dimming system. Do NOT connect this fixture for external dimmer packs.

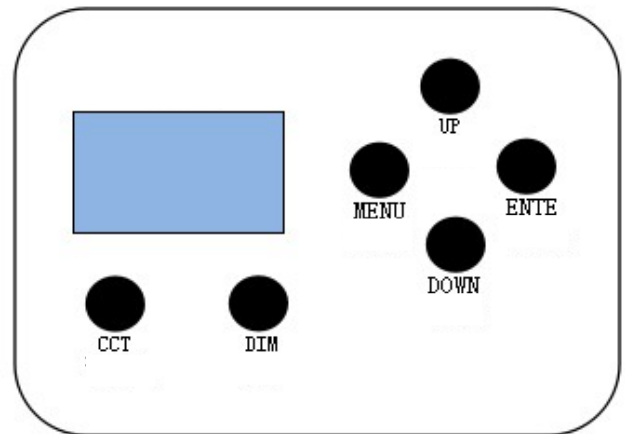
- We urge you to ensure proper mechanical fitments of clamps and a usage of safety Chain while suspending from the top.

FUNCTIONS

- ◆ Input voltage:100-240V 50-60HZ
- ◆ consumption: 200W
- ◆ lamp power: 180W
- ◆ Control model: DMX or button manual
- ◆ Control channels: 7 CH or 2 CH optional
- ◆ 16 bit above no shake smooth linear dim
- ◆ Outer size: 560 x 358x 146mm(with barndoor)
560x343x107mm (without barndoor)
- ◆ Gross weight:9kg Net weight:8kg

DISPLAY OPERATION

Press menu key display different functions cyclically
 Press down key and up key to adjust each function's value .
 Press ente key to confirm the function and value



DMX CAHANNEL FUNCTIONS

7 CH model or 2 CH model optional

1. 2 CH model

- CH 1 dimming
- CH 2 color temperature

2. 7 CH model

- CH 1: master control (dim)
- CH 2 :color temperature
- CH 3: Switch for single color dim (when this channel switch on CH 2 no work)
- CH 4: single color red dim

- CH 5: single color green dim
- CH 6: single color blue dim
- CH 7: single color white dim

MASTER/SLAVE CONNECT INTRODUCE :

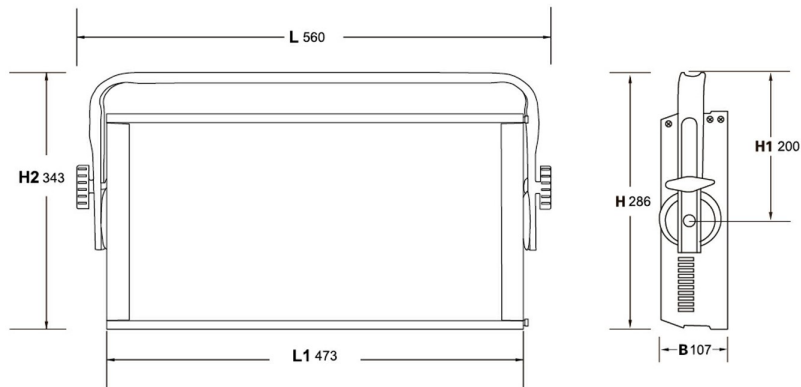
Set all units address same as "001" , off DMX signal , can set any unit as master, set functions on the master unit by the menu key and all units are synchronal.

Color temperature to channels value

CH	CT	CH	CT
0-5	2700K	91-95	6400K
6-10	3000K	96-100	6600K
11-15	3200K	101-105	6800K
16-20	3400K	106-110	7000K
21-25	3600K	111-115	7200K
26-30	3800K	116-120	7400K
31-35	4000K	121-125	7600K
36-40	4200K	126-130	7800K
41-45	4400K	131-135	8000K
46-50	4600K	136-140	8200K
51-55	4800K	141-145	8400K
56-60	5000K	146-150	8600K
61-65	5200K	151-155	8800K
66-70	5400K	156-160	9000K
71-75	5600K	161-165	9200K
76-80	5800K	166-170	9400K

81-85	6000K	171-175	9600K
86-90	6200K	176-180	9800K
		181-255	10000K

PRODUCT DIMENSION :



For Further assistance, you are requested to contact our office or authorized dealers.

We are there at your service

Thank You for Choosing Leksa Lighting:

Leksa Lighting Technologies Pvt. Ltd.

Ashwathapura Road, Moodbidri,

Mangalore – 574227, India

www.leksalighting.com

biz@leksalighting.com

+91-7899 543210